

MEDOS cannulae



MEDOS cannulae

Table of contents

Cannulae for ECC

Arterial cannulae	3
Venous cannulae	23
Femoral cannulae	32

Cardioplegia cannulae

Aortic root cannulae	37
Coronary ostial perfusion cannulae	41

Suction cannulae

Vent catheters	44
Suckers	48

Heart assist cannulae

VAD cannulae	50
--------------	----

Drainage catheters for surgical dressing

Drainage catheters	55
--------------------	----

Stainless steel products

Stainless steel products	57
--------------------------	----

Attachments

Connectors	65
------------	----



Cannulae for ECC

Arterial cannulae

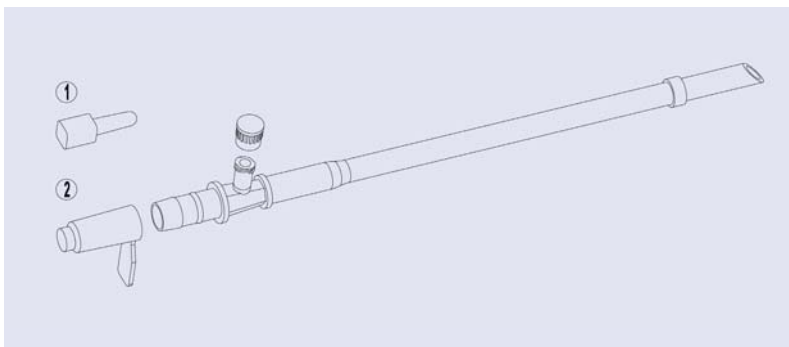
Table of contents

Aortic cannula, soft/hardened tip, moveable ring, connector and LL	4
Aortic cannula with/without wire reinforcing, connector and LL up	5
Aortic cannula with/without wire reinforcing, connector and LL down	6
Aortic cannula with/without wire reinforcing and connector	7
Aortic cannula with/without wire reinforcing, reduction connector and LL up	8
Aortic cannula with/without wire reinforcing, reduction connector and LL down	9
Aortic cannula with/without wire reinforcing and reduction connector	10
Aortic cannula with/without wire reinforcing	11
Pediatric aortic cannula, wire reinforced	12
Arterial femoral cannula, wire reinforced, connector and LL down	13
Aortic cannula X-Flow with/without wire reinforcing, connector and LL up	14
Aortic cannula X-Flow with/without wire reinforcing, connector and LL down	15
Aortic cannula X-Flow with/without wire reinforcing and connector	16
Aortic cannula X-Flow with/without wire reinforcing, reduction connector and LL up	17
Aortic cannula X-Flow with/without wire reinforcing, reduction connector and LL down	18
Aortic cannula X-Flow with/without wire reinforcing and reduction connector	19
Aortic cannula X-Flow with/without wire reinforcing	20
Flow rates of arterial cannulae: MEA 02**, MEA 5***, MEA 3***	21
Flow rates of arterial cannulae: MEA 7***, MEA 8***, MEA 9***	22

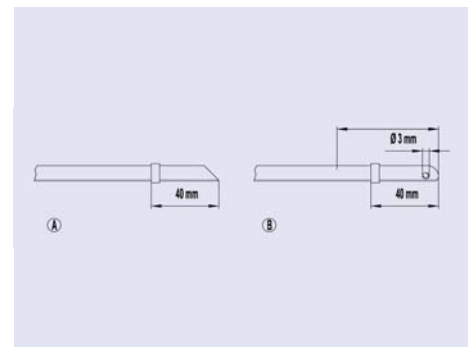
Cannulae for ECC

Arterial cannulae

Aortic cannula, soft/hardened tip, moveable ring, connector and LL



① Vent Plug
② Cap



Ⓐ Aortic cannula, soft tip
Ⓑ Aortic cannula, hardened tip

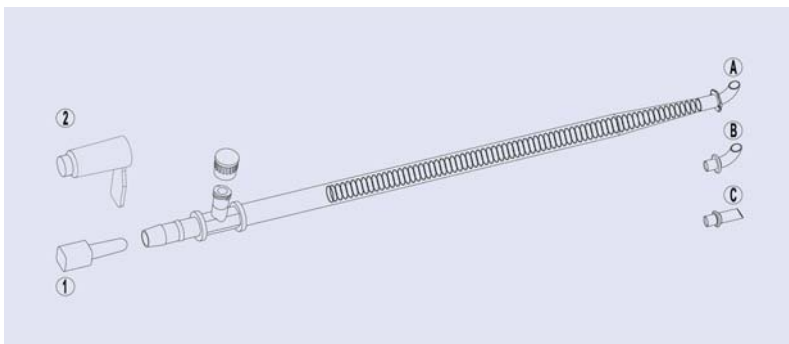
Article number	General configuration		Length Ⓐ [mm]	Length Ⓑ [mm]	Connection	Luer Lock	PU	
	Ⓐ soft tip	Ⓑ hardened tip						Ø [mm]
MEA0201	-	6,7	20,0	250,0	-	① 1/4"	LL ↑	10
MEA0202	-	6,7	20,0	250,0	-	① 1/4"	LL ↓	10
MEA0203	-	6,7	20,0	250,0	-	① 1/4"	-	10
MEA0241	MEAH0241	8,0	24,0	250,0	350,0	② 3/8"	LL ↑	10
MEA0242	MEAH0242	8,0	24,0	250,0	350,0	② 3/8"	LL ↓	10
MEA0243	MEAH0243	8,0	24,0	250,0	350,0	② 3/8"	-	10
MEA0261	MEAH0261	8,7	26,0	250,0	350,0	② 3/8"	LL ↑	10
MEA0262	MEAH0262	8,7	26,0	250,0	350,0	② 3/8"	LL ↓	10
MEA0263	MEAH0263	8,7	26,0	250,0	350,0	② 3/8"	-	10
MEA0281	MEAH0281	9,3	28,0	250,0	350,0	② 3/8"	LL ↑	10
MEA0282	MEAH0282	9,3	28,0	250,0	350,0	② 3/8"	LL ↓	10
MEA0283	MEAH0283	9,3	28,0	250,0	350,0	② 3/8"	-	10

LL ↑ = LL up, LL ↓ = LL down Delivery times by appointment

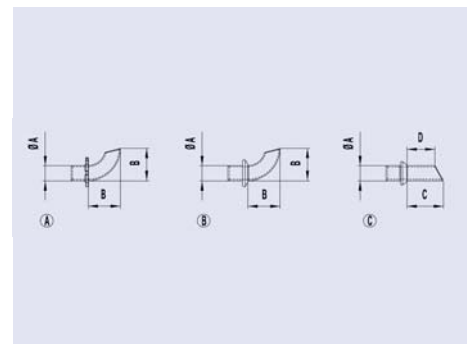
Cannulae for ECC

Arterial cannulae

Arterial cannula with/without wire reinforcing, connector and LL up



- ① Vent Plug
- ② Cap



- Ⓐ Aortic head bent with suture flange
- Ⓑ Aortic head bent with collar
- Ⓒ Aortic head straight with collar

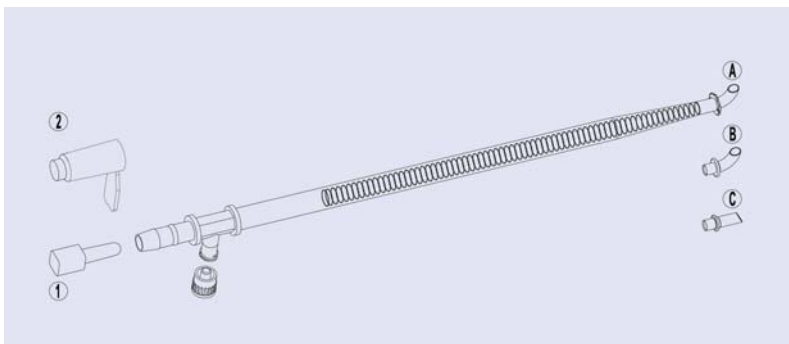
Article number with spring	General configuration without spring	General configuration		Length [mm]	Connection	PU	Configuration cannula tip				
		Ø [mm]	Ø [Fr]				Typ	Ø A [mm]	B [mm]	C [mm]	D [mm]
MEA1451	MEA2451	4,5	13,5	280,0	① 1/4"	10	Ⓐ	4,5	10,0	-	-
MEA1521	MEA2521	5,2	15,6	282,0	② 3/8"	10	Ⓐ	5,2	11,5	-	-
MEA1651	MEA2651	6,5	19,5	285,0	② 3/8"	10	Ⓐ	6,5	14,3	-	-
MEA1801	MEA2801	8,0	24,0	288,0	② 3/8"	10	Ⓐ	8,0	17,5	-	-
MEA3451	MEA4451	4,5	13,5	280,0	① 1/4"	10	Ⓑ	4,5	10,0	-	-
MEA3521	MEA4521	5,2	15,6	282,0	② 3/8"	10	Ⓑ	5,2	11,5	-	-
MEA3651	MEA4651	6,5	19,5	285,0	② 3/8"	10	Ⓑ	6,5	14,3	-	-
MEA3801	MEA4801	8,0	24,0	288,0	② 3/8"	10	Ⓑ	8,0	17,5	-	-
MEA5451	MEA6451	4,5	13,5	280,0	① 1/4"	10	Ⓒ	4,5	-	11,0	8,6
MEA5521	MEA6521	5,2	15,6	283,0	② 3/8"	10	Ⓒ	5,2	-	13,0	9,9
MEA5651	MEA6651	6,5	19,5	286,0	② 3/8"	10	Ⓒ	6,5	-	16,0	12,3
MEA5801	MEA6801	8,0	24,0	288,0	② 3/8"	10	Ⓒ	8,0	-	17,0	12,3

Delivery times by appointment

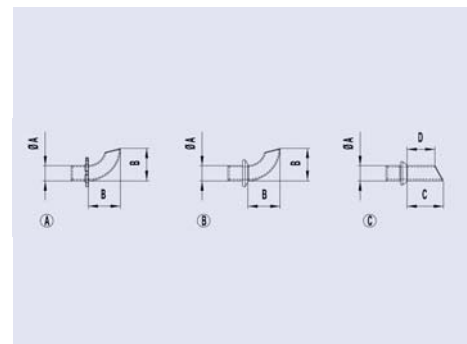
Cannulae for ECC

Arterial cannulae

Arterial cannula with/without wire reinforcing, connector and LL down



- ① Vent Plug
- ② Cap



- Ⓐ Aortic head bent with suture flange
- Ⓑ Aortic head bent with collar
- Ⓒ Aortic head straight with collar

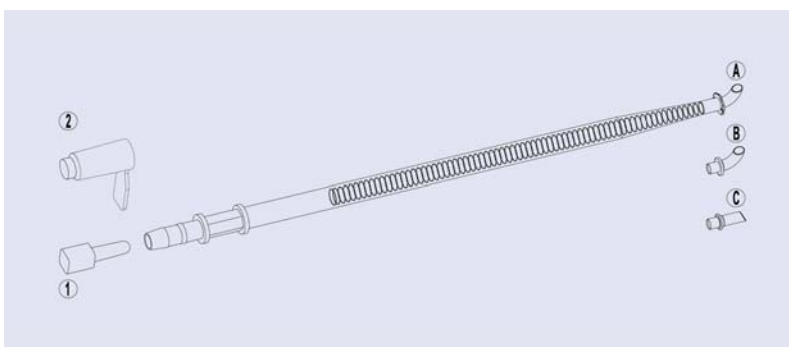
Article number with spring	General configuration without spring	General configuration		Length [mm]	Connection	PU	Configuration cannula tip				
		Ø [mm]	Ø [Fr]				Typ	Ø A [mm]	B [mm]	C [mm]	D [mm]
MEA1452	MEA2452	4,5	13,5	280,0	① 1/4"	10	Ⓐ	4,5	10,0	-	-
MEA1522	MEA2522	5,2	15,6	282,0	② 3/8"	10	Ⓐ	5,2	11,5	-	-
MEA1652	MEA2652	6,5	19,5	285,0	② 3/8"	10	Ⓐ	6,5	14,3	-	-
MEA1802	MEA2802	8,0	24,0	288,0	② 3/8"	10	Ⓐ	8,0	17,5	-	-
MEA3452	MEA4452	4,5	13,5	280,0	① 1/4"	10	Ⓑ	4,5	10,0	-	-
MEA3522	MEA4522	5,2	15,6	282,0	② 3/8"	10	Ⓑ	5,2	11,5	-	-
MEA3652	MEA4652	6,5	19,5	285,0	② 3/8"	10	Ⓑ	6,5	14,3	-	-
MEA3802	MEA4802	8,0	24,0	288,0	② 3/8"	10	Ⓑ	8,0	17,5	-	-
MEA5452	MEA6452	4,5	13,5	280,0	① 1/4"	10	Ⓒ	4,5	-	11,0	8,6
MEA5522	MEA6522	5,2	15,6	283,0	② 3/8"	10	Ⓒ	5,2	-	13,0	9,9
MEA5652	MEA6652	6,5	19,5	286,0	② 3/8"	10	Ⓒ	6,5	-	16,0	12,3
MEA5802	MEA6802	8,0	24,0	288,0	② 3/8"	10	Ⓒ	8,0	-	17,0	12,3

Delivery times by appointment

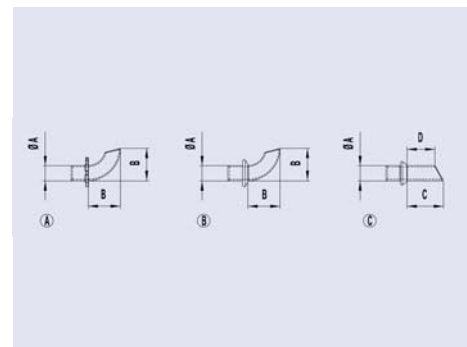
Cannulae for ECC

Arterial cannulae

Arterial cannula with/without wire reinforcing and connector



- ① Vent Plug
- ② Cap



- Ⓐ Aortic head bent with suture flange
- Ⓑ Aortic head bent with collar
- Ⓒ Aortic head straight with collar

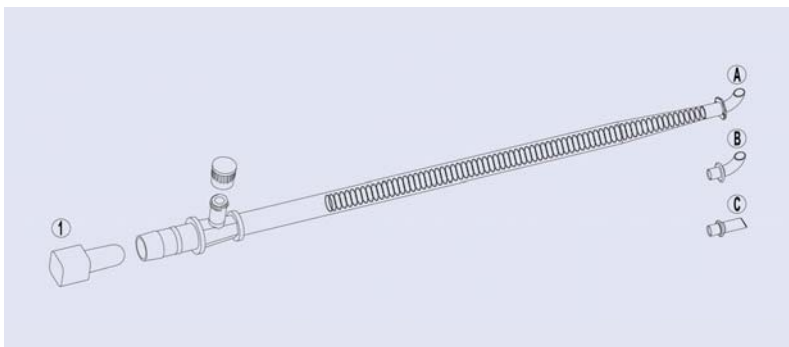
Article number with spring	General configuration without spring	General configuration		Length [mm]	Connection	PU	Configuration cannula tip				
		Ø [mm]	Ø [Fr]				Typ	Ø A [mm]	B [mm]	C [mm]	D [mm]
MEA1453	MEA2453	4,5	13,5	280,0	① 1/4"	10	Ⓐ	4,5	10,0	-	-
MEA1523	MEA2523	5,2	15,6	282,0	② 3/8"	10	Ⓐ	5,2	11,5	-	-
MEA1653	MEA2653	6,5	19,5	285,0	② 3/8"	10	Ⓐ	6,5	14,3	-	-
MEA1803	MEA2803	8,0	24,0	288,0	② 3/8"	10	Ⓐ	8,0	17,5	-	-
MEA3453	MEA4453	4,5	13,5	280,0	① 1/4"	10	Ⓑ	4,5	10,0	-	-
MEA3523	MEA4523	5,2	15,6	282,0	② 3/8"	10	Ⓑ	5,2	11,5	-	-
MEA3653	MEA4653	6,5	19,5	285,0	② 3/8"	10	Ⓑ	6,5	14,3	-	-
MEA3803	MEA4803	8,0	24,0	288,0	② 3/8"	10	Ⓑ	8,0	17,5	-	-
MEA5453	MEA6453	4,5	13,5	280,0	① 1/4"	10	Ⓒ	4,5	-	11,0	8,6
MEA5523	MEA6523	5,2	15,6	283,0	② 3/8"	10	Ⓒ	5,2	-	13,0	9,9
MEA5653	MEA6653	6,5	19,5	286,0	② 3/8"	10	Ⓒ	6,5	-	16,0	12,3
MEA5803	MEA6803	8,0	24,0	288,0	② 3/8"	10	Ⓒ	8,0	-	17,0	12,3

Delivery times by appointment

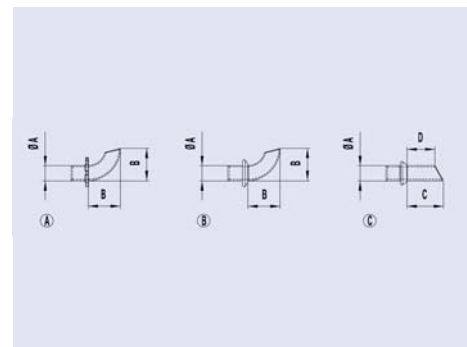
Cannulae for ECC

Arterial cannulae

Arctic cannula with/without wire reinforcing, reduction connector and LL up



① Vent plug



Ⓐ Aortic head bent with suture flange
Ⓑ Aortic head bent with collar
Ⓒ Aortic head straight with collar

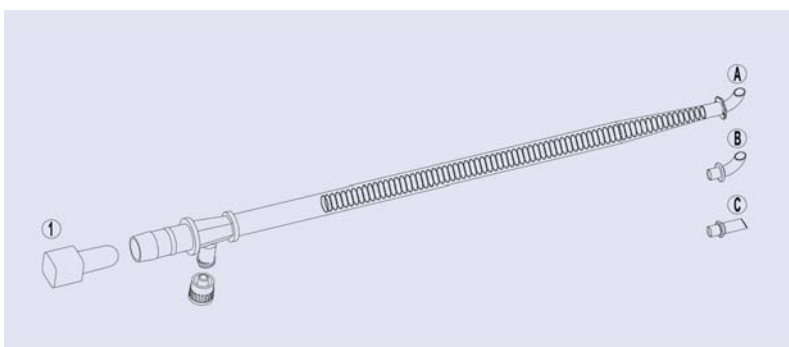
Article number		General configuration				Connection	PU	Configuration cannula tip			
with spring	without spring	Ø [mm]	Ø [Fr]	Length [mm]	Typ			Ø A [mm]	B [mm]	C [mm]	D [mm]
MEA1454	MEA2454	4,5	13,5	280,0	3/8"	10	Ⓐ	4,5	10,0	-	-
MEA1524	MEA2524	5,2	15,6	282,0	1/2"	10	Ⓐ	5,2	11,5	-	-
MEA1654	MEA2654	6,5	19,5	285,0	1/2"	10	Ⓐ	6,5	14,3	-	-
MEA1804	MEA2804	8,0	24,0	288,0	1/2"	10	Ⓐ	8,0	17,5	-	-
MEA3454	MEA4454	4,5	13,5	280,0	3/8"	10	Ⓑ	4,5	10,0	-	-
MEA3524	MEA4524	5,2	15,6	282,0	1/2"	10	Ⓑ	5,2	11,5	-	-
MEA3654	MEA4654	6,5	19,5	285,0	1/2"	10	Ⓑ	6,5	14,3	-	-
MEA3804	MEA4804	8,0	24,0	288,0	1/2"	10	Ⓑ	8,0	17,5	-	-
MEA5454	MEA6454	4,5	13,5	280,0	3/8"	10	Ⓒ	4,5	-	11,0	8,6
MEA5524	MEA6524	5,2	15,6	283,0	1/2"	10	Ⓒ	5,2	-	13,0	9,9
MEA5654	MEA6654	6,5	19,5	286,0	1/2"	10	Ⓒ	6,5	-	16,0	12,3
MEA5804	MEA6804	8,0	24,0	288,0	1/2"	10	Ⓒ	8,0	-	17,0	12,3

Delivery times by appointment

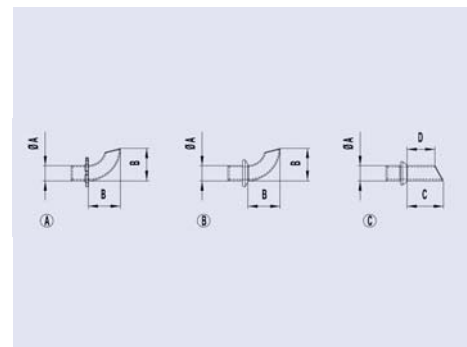
Cannulae for ECC

Arterial cannulae

Arctic cannula with/without wire reinforcing, reduction connector and LL down



① Vent plug



Ⓐ Aortic head bent with suture flange
Ⓑ Aortic head bent with collar
Ⓒ Aortic head straight with collar

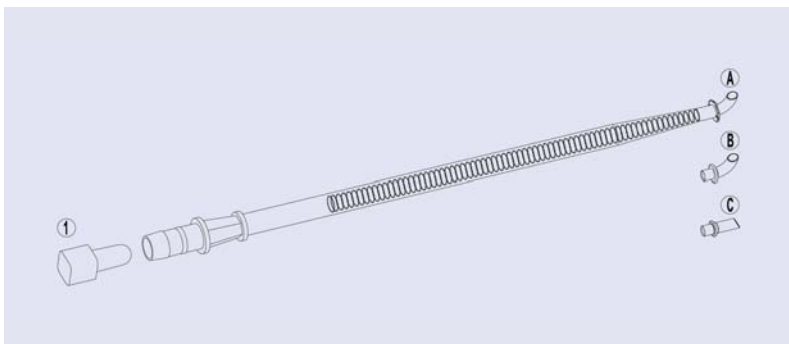
Article number with spring	General configuration without spring	General configuration		Length [mm]	Connection	PU	Configuration cannula tip				
		Ø [mm]	Ø [Fr]				Typ	Ø A [mm]	B [mm]	C [mm]	D [mm]
MEA1455	MEA2455	4,5	13,5	280,0	3/8"	10	Ⓐ	4,5	10,0	-	-
MEA1525	MEA2525	5,2	15,6	282,0	1/2"	10	Ⓐ	5,2	11,5	-	-
MEA1655	MEA2655	6,5	19,5	285,0	1/2"	10	Ⓐ	6,5	14,3	-	-
MEA1805	MEA2805	8,0	24,0	288,0	1/2"	10	Ⓐ	8,0	17,5	-	-
MEA3455	MEA4455	4,5	13,5	280,0	3/8"	10	Ⓑ	4,5	10,0	-	-
MEA3525	MEA4525	5,2	15,6	282,0	1/2"	10	Ⓑ	5,2	11,5	-	-
MEA3655	MEA4655	6,5	19,5	285,0	1/2"	10	Ⓑ	6,5	14,3	-	-
MEA3805	MEA4805	8,0	24,0	288,0	1/2"	10	Ⓑ	8,0	17,5	-	-
MEA5455	MEA6455	4,5	13,5	280,0	3/8"	10	Ⓒ	4,5	-	11,0	8,6
MEA5525	MEA6525	5,2	15,6	283,0	1/2"	10	Ⓒ	5,2	-	13,0	9,9
MEA5655	MEA6655	6,5	19,5	286,0	1/2"	10	Ⓒ	6,5	-	16,0	12,3
MEA5805	MEA6805	8,0	24,0	288,0	1/2"	10	Ⓒ	8,0	-	17,0	12,3

Delivery times by appointment

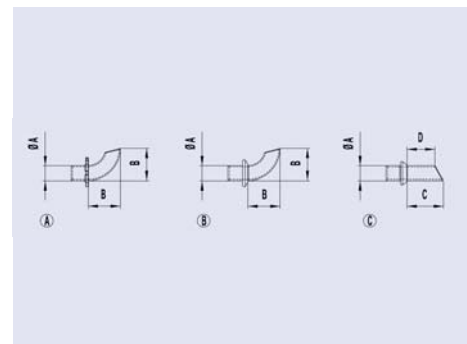
Cannulae for ECC

Arterial cannulae

Arterial cannula with/without wire reinforcing and reduction connector



① Vent plug



Ⓐ Aortic head bent with suture flange
 Ⓑ Aortic head bent with collar
 Ⓒ Aortic head straight with collar

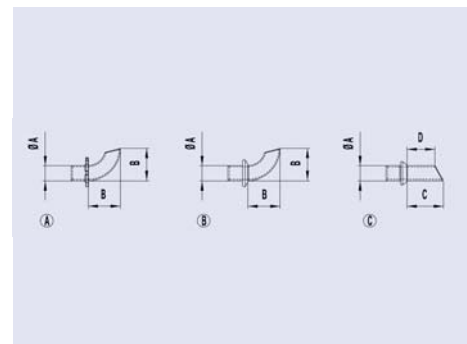
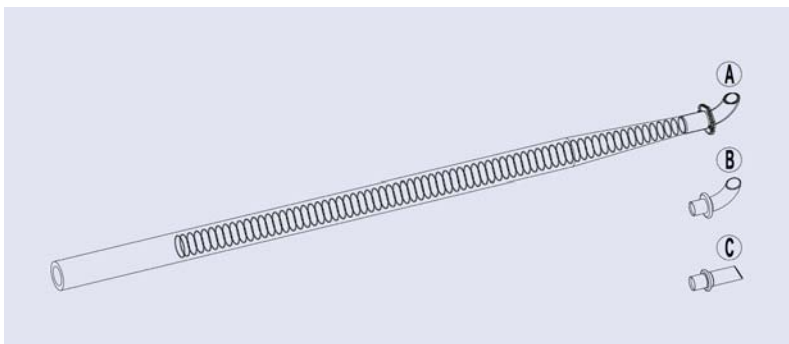
Article number with spring	General configuration without spring	General configuration		Length [mm]	Connection	PU	Configuration cannula tip				
		Ø [mm]	Ø [Fr]				Typ	Ø A [mm]	B [mm]	C [mm]	D [mm]
MEA1456	MEA2456	4,5	13,5	280,0	3/8"	10	Ⓐ	4,5	10,0	-	-
MEA1526	MEA2526	5,2	15,6	282,0	1/2"	10	Ⓐ	5,2	11,5	-	-
MEA1656	MEA2656	6,5	19,5	285,0	1/2"	10	Ⓐ	6,5	14,3	-	-
MEA1806	MEA2806	8,0	24,0	288,0	1/2"	10	Ⓐ	8,0	17,5	-	-
MEA3456	MEA4456	4,5	13,5	280,0	3/8"	10	Ⓑ	4,5	10,0	-	-
MEA3526	MEA4526	5,2	15,6	282,0	1/2"	10	Ⓑ	5,2	11,5	-	-
MEA3656	MEA4656	6,5	19,5	285,0	1/2"	10	Ⓑ	6,5	14,3	-	-
MEA3806	MEA4806	8,0	24,0	288,0	1/2"	10	Ⓑ	8,0	17,5	-	-
MEA5456	MEA6456	4,5	13,5	280,0	3/8"	10	Ⓒ	4,5	-	11,0	8,6
MEA5526	MEA6526	5,2	15,6	283,0	1/2"	10	Ⓒ	5,2	-	13,0	9,9
MEA5656	MEA6656	6,5	19,5	286,0	1/2"	10	Ⓒ	6,5	-	16,0	12,3
MEA5806	MEA6806	8,0	24,0	288,0	1/2"	10	Ⓒ	8,0	-	17,0	12,3

Delivery times by appointment

Cannulae for ECC

Arterial cannulae

Aortic cannula with/without wire reinforcing



- Ⓐ Aortic head bent with suture flange
- Ⓑ Aortic head bent with collar
- Ⓒ Aortic head straight with collar

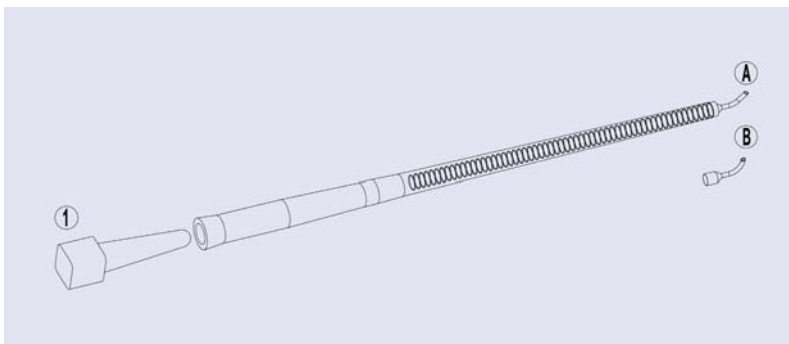
Article number with spring	General configuration without spring	General configuration		Length [mm]	Connection	PU	Configuration cannula tip				
		Ø [mm]	Ø [Fr]				Typ	Ø A [mm]	B [mm]	C [mm]	D [mm]
MEA1457	MEA2457	4,5	13,5	240,0	1/4"	10	Ⓐ	4,5	10,0	-	-
MEA1527	MEA2527	5,2	15,6	242,0	3/8"	10	Ⓐ	5,2	11,5	-	-
MEA1657	MEA2657	6,5	19,5	245,0	3/8"	10	Ⓐ	6,5	14,3	-	-
MEA1807	MEA2807	8,0	24,0	244,0	3/8"	10	Ⓐ	8,0	17,5	-	-
MEA3457	MEA4457	4,5	13,5	240,0	1/4"	10	Ⓑ	4,5	10,0	-	-
MEA3527	MEA4527	5,2	15,6	242,0	3/8"	10	Ⓑ	5,2	11,5	-	-
MEA3657	MEA4657	6,5	19,5	245,0	3/8"	10	Ⓑ	6,5	14,3	-	-
MEA3807	MEA4807	8,0	24,0	244,0	3/8"	10	Ⓑ	8,0	17,5	-	-
MEA5457	MEA6457	4,5	13,5	240,0	1/4"	10	Ⓒ	4,5	-	11,0	8,6
MEA5527	MEA6527	5,2	15,6	243,0	3/8"	10	Ⓒ	5,2	-	13,0	9,9
MEA5657	MEA6657	6,5	19,5	246,0	3/8"	10	Ⓒ	6,5	-	16,0	12,3
MEA5807	MEA6807	8,0	24,0	244,0	3/8"	10	Ⓒ	8,0	-	17,0	12,3

Delivery times by appointment

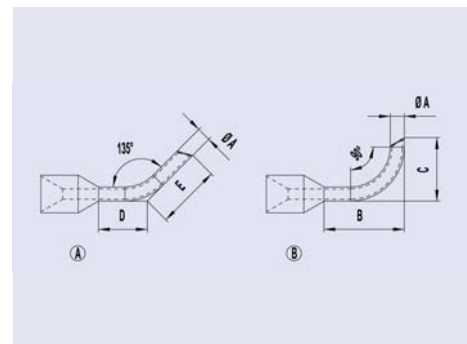
Cannulae for ECC

Arterial cannulae

Pediatric aortic cannula, wire reinforced



① Vent plug



Ⓐ Arterial head 135°

Ⓑ Arterial head 90°

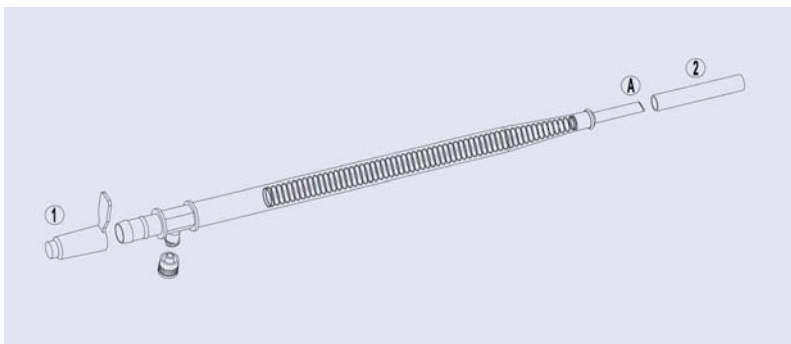
Article number	General configuration			Connection	PU	Configuration cannula tip					
	Ø [mm]	Ø [Fr]	Length [mm]			Typ	Ø A [mm]	B [mm]	C [mm]	D [mm]	E [mm]
MEA7157	1,5	4,5	200,0	3/16 - 1/4"	10	Ⓐ	1,5	-	-	5,2	6,9
MEA7207	2,0	6,0	200,0	3/16 - 1/4"	10	Ⓐ	2,0	-	-	6,6	9,3
MEA7257	2,5	7,5	200,0	3/16 - 1/4"	10	Ⓐ	2,5	-	-	7,9	10,7
MEA7307	3,0	9,0	200,0	3/16 - 1/4"	10	Ⓐ	3,0	-	-	9,1	12,9
MEA7357	3,5	10,5	200,0	3/16 - 1/4"	10	Ⓐ	3,5	-	-	12,0	14,5
MEA7407	4,0	12,0	200,0	3/16 - 1/4"	10	Ⓐ	4,0	-	-	14,0	16,0
MEA8157	1,5	4,5	200,0	3/16 - 1/4"	10	Ⓑ	1,5	8,6	6,8	-	-
MEA8207	2,0	6,0	200,0	3/16 - 1/4"	10	Ⓑ	2,0	11,3	10,0	-	-
MEA8257	2,5	7,5	200,0	3/16 - 1/4"	10	Ⓑ	2,5	12,5	10,3	-	-
MEA8307	3,0	9,0	200,0	3/16 - 1/4"	10	Ⓑ	3,0	14,6	12,0	-	-
MEA8357	3,5	10,5	200,0	3/16 - 1/4"	10	Ⓑ	3,5	18,3	13,3	-	-
MEA8407	4,0	12,0	200,0	3/16 - 1/4"	10	Ⓑ	4,0	21,0	14,5	-	-

Delivery times by appointment

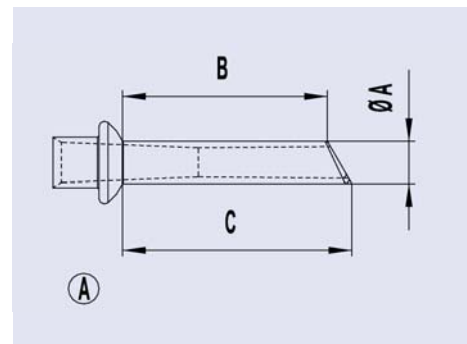
Cannulae for ECC

Arterial cannulae

Arterial femoral cannula, wire reinforced, connector and LL down



- ① Vent plug
- ② Protective tube



Ⓐ Arterial femoral cannula head with collar

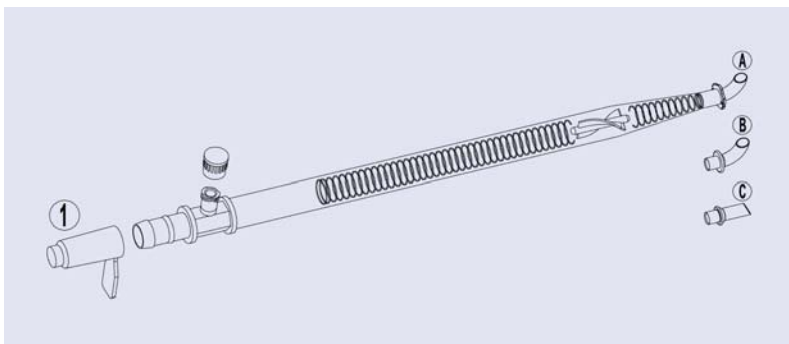
Article number	General configuration			Connection	PU	Configuration cannula tip			
	Ø [mm]	Ø [Fr]	Length [mm]			Typ	Ø A [mm]	B [mm]	C [mm]
MEA9552	5,5	16,5	320,0	3/8"	10	Ⓐ	5,5	26,7	29,9
MEA9752	7,5	22,5	320,0	3/8"	10	Ⓐ	7,5	38,5	42,8

Delivery times by appointment

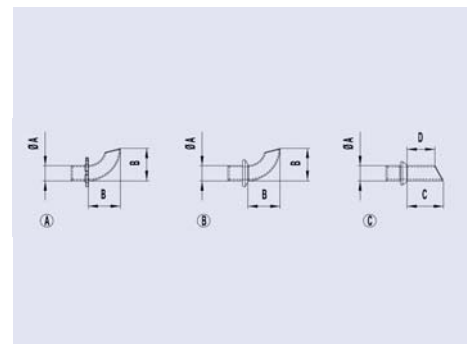
Cannulae for ECC

Arterial cannulae

Arterial cannula X-Flow with/without wire reinforcing, connector and LL up



① Cap



Ⓐ Aortic head bent with suture flange
Ⓑ Aortic head bent with collar
Ⓒ Aortic head straight with collar

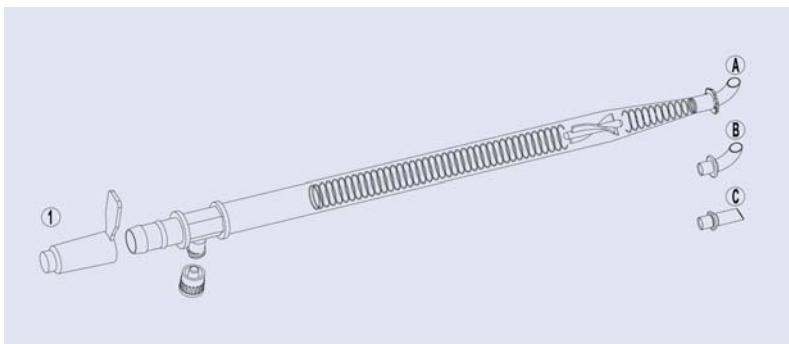
Article number		General configuration			Connection	PU	Configuration cannula tip				
with spring	without spring	Ø [mm]	Ø [Fr]	Length [mm]			Typ	Ø A [mm]	B [mm]	C [mm]	D [mm]
MEAD1521	MEAD2521	5,2	15,6	282,0	3/8"	10	Ⓐ	5,2	11,5	-	-
MEAD1651	MEAD2651	6,5	19,5	285,0	3/8"	10	Ⓐ	6,5	14,3	-	-
MEAD1801	MEAD2801	8,0	24,0	288,0	3/8"	10	Ⓐ	8,0	17,5	-	-
MEAD3521	MEAD4521	5,2	15,6	282,0	3/8"	10	Ⓑ	5,2	11,5	-	-
MEAD3651	MEAD4651	6,5	19,5	285,0	3/8"	10	Ⓑ	6,5	14,3	-	-
MEAD3801	MEAD4801	8,0	24,0	288,0	3/8"	10	Ⓑ	8,0	17,5	-	-
MEAD5521	MEAD6521	5,2	15,6	283,0	3/8"	10	Ⓒ	5,2	-	13,0	9,9
MEAD5651	MEAD6651	6,5	19,5	286,0	3/8"	10	Ⓒ	6,5	-	16,0	12,3
MEAD5801	MEAD6801	8,0	24,0	288,0	3/8"	10	Ⓒ	8,0	-	17,0	12,3

Delivery times by appointment

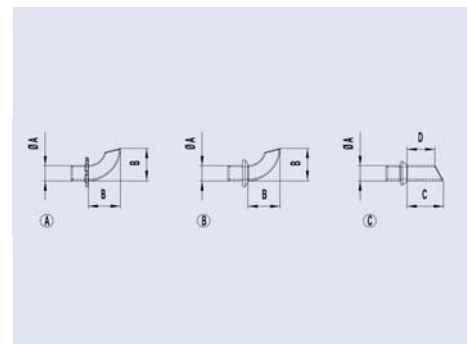
Cannulae for ECC

Arterial cannulae

Aortic cannula X-Flow with/without wire reinforcing, connector and LL down



① Cap



Ⓐ Aortic head bent with suture flange
Ⓑ Aortic head bent with collar
Ⓒ Aortic head straight with collar

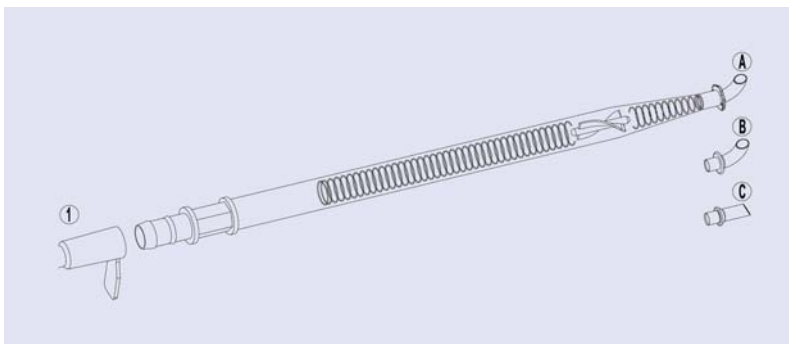
Article number		General configuration				Connection	PU	Configuration cannula tip			
with spring	without spring	Ø [mm]	Ø [Fr]	Length [mm]	Typ			Ø A [mm]	B [mm]	C [mm]	D [mm]
MEAD1522	MEAD2522	5,2	15,6	282,0	3/8"	10	Ⓐ	5,2	11,5	-	-
MEAD1652	MEAD2652	6,5	19,5	285,0	3/8"	10	Ⓐ	6,5	14,3	-	-
MEAD1802	MEAD2802	8,0	24,0	288,0	3/8"	10	Ⓐ	8,0	17,5	-	-
MEAD3522	MEAD4522	5,2	15,6	282,0	3/8"	10	Ⓑ	5,2	11,5	-	-
MEAD3652	MEAD4652	6,5	19,5	285,0	3/8"	10	Ⓑ	6,5	14,3	-	-
MEAD3802	MEAD4802	8,0	24,0	288,0	3/8"	10	Ⓑ	8,0	17,5	-	-
MEAD5522	MEAD6522	5,2	15,6	283,0	3/8"	10	Ⓒ	5,2	-	13,0	9,9
MEAD5652	MEAD6652	6,5	19,5	286,0	3/8"	10	Ⓒ	6,5	-	16,0	12,3
MEAD5802	MEAD6802	8,0	24,0	288,0	3/8"	10	Ⓒ	8,0	-	17,0	12,3

Delivery times by appointment

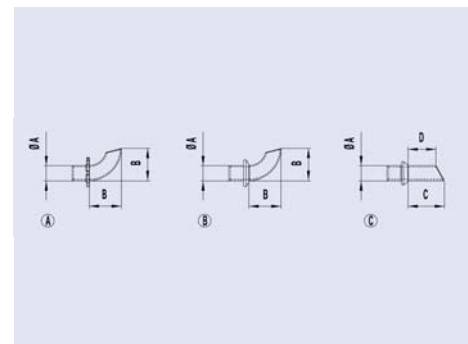
Cannulae for ECC

Arterial cannulae

Aortic cannula X-Flow with/without wire reinforcing and connector



① Cap



Ⓐ Aortic head bent with suture flange
Ⓑ Aortic head bent with collar
Ⓒ Aortic head straight with collar

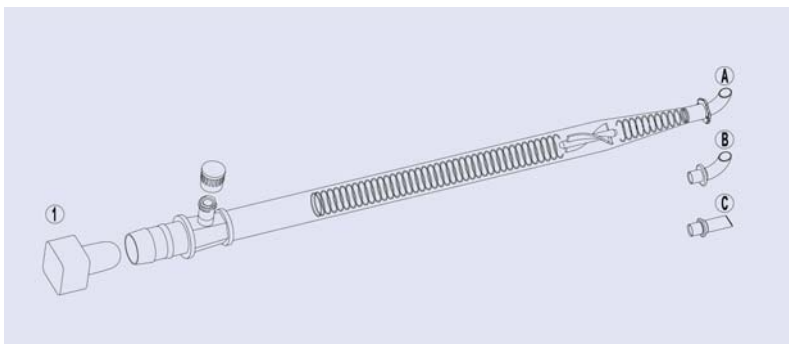
Article number		General configuration				Connection	PU	Configuration cannula tip			
with spring	without spring	Ø [mm]	Ø [Fr]	Length [mm]	Typ			Ø A [mm]	B [mm]	C [mm]	D [mm]
MEAD1523	MEAD2523	5,2	15,6	282,0	3/8"	10	Ⓐ	5,2	11,5	-	-
MEAD1653	MEAD2653	6,5	19,5	285,0	3/8"	10	Ⓐ	6,5	14,3	-	-
MEAD1803	MEAD2803	8,0	24,0	288,0	3/8"	10	Ⓐ	8,0	17,5	-	-
MEAD3523	MEAD4523	5,2	15,6	282,0	3/8"	10	Ⓑ	5,2	11,5	-	-
MEAD3653	MEAD4653	6,5	19,5	285,0	3/8"	10	Ⓑ	6,5	14,3	-	-
MEAD3803	MEAD4803	8,0	24,0	288,0	3/8"	10	Ⓑ	8,0	17,5	-	-
MEAD5523	MEAD6523	5,2	15,6	283,0	3/8"	10	Ⓒ	5,2	-	13,0	9,9
MEAD5653	MEAD6653	6,5	19,5	286,0	3/8"	10	Ⓒ	6,5	-	16,0	12,3
MEAD5803	MEAD6803	8,0	24,0	288,0	3/8"	10	Ⓒ	8,0	-	17,0	12,3

Delivery times by appointment

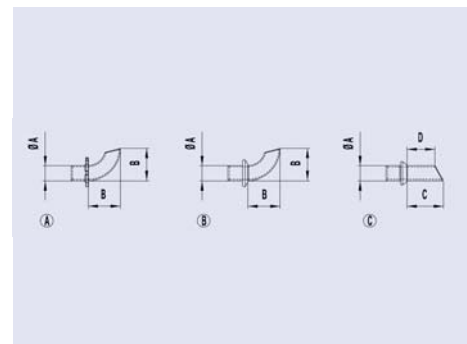
Cannulae for ECC

Arterial cannulae

Arterial cannula X-Flow with/without wire reinforcing, reduction connector and LL up



① Vent plug



Ⓐ Aortic head bent with suture flange
Ⓑ Aortic head bent with collar
Ⓒ Aortic head straight with collar

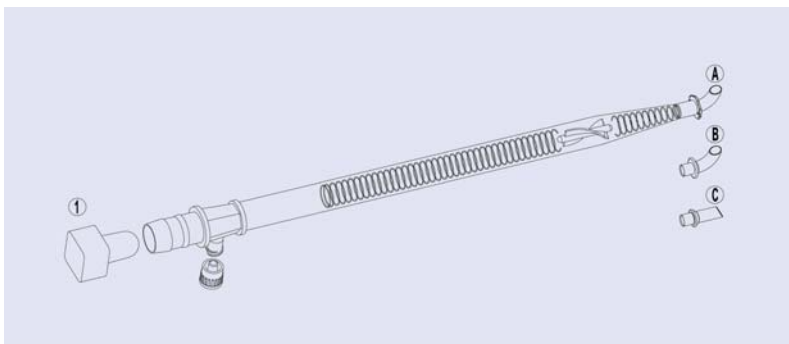
Article number		General configuration			Connection	PU	Configuration cannula tip				
with spring	without spring	Ø [mm]	Ø [Fr]	Length [mm]			Typ	Ø A [mm]	B [mm]	C [mm]	D [mm]
MEAD1524	MEAD2524	5,2	15,6	282,0	1/2"	10	Ⓐ	5,2	11,5	-	-
MEAD1654	MEAD2654	6,5	19,5	285,0	1/2"	10	Ⓐ	6,5	14,3	-	-
MEAD1804	MEAD2804	8,0	24,0	288,0	1/2"	10	Ⓐ	8,0	17,5	-	-
MEAD3524	MEAD4524	5,2	15,6	282,0	1/2"	10	Ⓑ	5,2	11,5	-	-
MEAD3654	MEAD4654	6,5	19,5	285,0	1/2"	10	Ⓑ	6,5	14,3	-	-
MEAD3804	MEAD4804	8,0	24,0	288,0	1/2"	10	Ⓑ	8,0	17,5	-	-
MEAD5524	MEAD6524	5,2	15,6	283,0	1/2"	10	Ⓒ	5,2	-	13,0	9,9
MEAD5654	MEAD6654	6,5	19,5	286,0	1/2"	10	Ⓒ	6,5	-	16,0	12,3
MEAD5804	MEAD6804	8,0	24,0	288,0	1/2"	10	Ⓒ	8,0	-	17,0	12,3

Delivery times by appointment

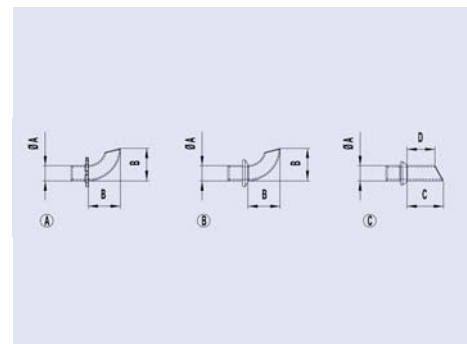
Cannulae for ECC

Arterial cannulae

Arterial cannula X-Flow with/without wire reinforcing, reduction connector and LL down



① Vent plug



Ⓐ Aortic head bent with suture flange
Ⓑ Aortic head bent with collar
Ⓒ Aortic head straight with collar

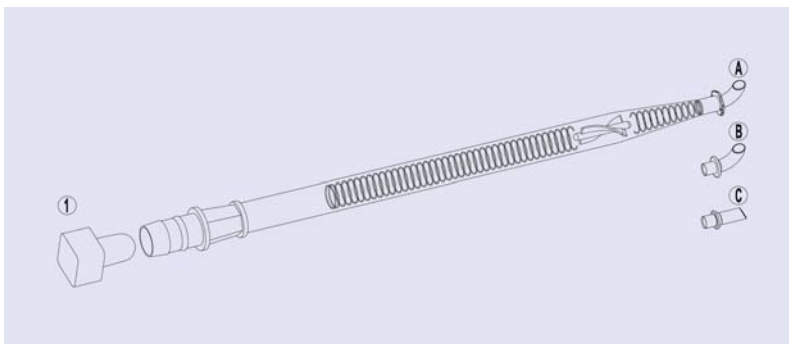
Article number		General configuration			Connection	PU	Configuration cannula tip				
with spring	without spring	Ø [mm]	Ø [Fr]	Length [mm]			Typ	Ø A [mm]	B [mm]	C [mm]	D [mm]
MEAD1525	MEAD2525	5,2	15,6	282,0	1/2"	10	Ⓐ	5,2	11,5	-	-
MEAD1655	MEAD2655	6,5	19,5	285,0	1/2"	10	Ⓐ	6,5	14,3	-	-
MEAD1805	MEAD2805	8,0	24,0	288,0	1/2"	10	Ⓐ	8,0	17,5	-	-
MEAD3525	MEAD4525	5,2	15,6	282,0	1/2"	10	Ⓑ	5,2	11,5	-	-
MEAD3655	MEAD4655	6,5	19,5	285,0	1/2"	10	Ⓑ	6,5	14,3	-	-
MEAD3805	MEAD4805	8,0	24,0	288,0	1/2"	10	Ⓑ	8,0	17,5	-	-
MEAD5525	MEAD6525	5,2	15,6	283,0	1/2"	10	Ⓒ	5,2	-	13,0	9,9
MEAD5655	MEAD6655	6,5	19,5	286,0	1/2"	10	Ⓒ	6,5	-	16,0	12,3
MEAD5805	MEAD6805	8,0	24,0	288,0	1/2"	10	Ⓒ	8,0	-	17,0	12,3

Delivery times by appointment

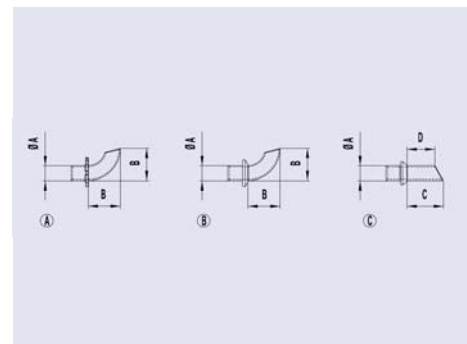
Cannulae for ECC

Arterial cannulae

Arterial cannula X-Flow with/without wire reinforcing and reduction connector



① Vent plug



Ⓐ Aortic head bent with suture flange
Ⓑ Aortic head bent with collar
Ⓒ Aortic head straight with collar

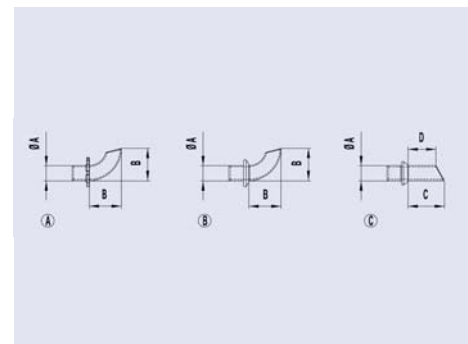
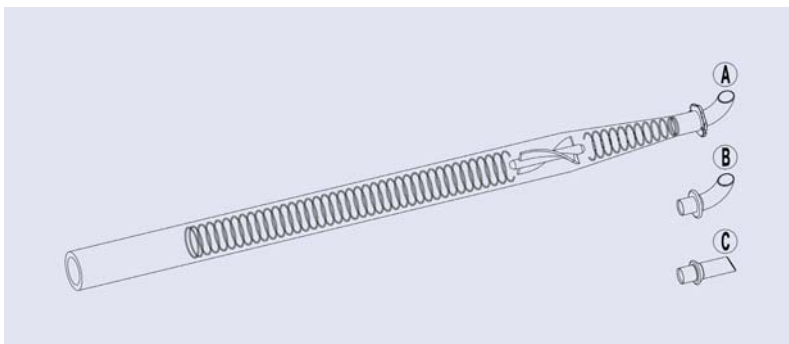
Article number		General configuration			Connection	PU	Configuration cannula tip				
with spring	without spring	Ø [mm]	Ø [Fr]	Length [mm]			Typ	Ø A [mm]	B [mm]	C [mm]	D [mm]
MEAD1526	MEAD2526	5,2	15,6	282,0	1/2"	10	Ⓐ	5,2	11,5	-	-
MEAD1656	MEAD2656	6,5	19,5	285,0	1/2"	10	Ⓐ	6,5	14,3	-	-
MEAD1806	MEAD2806	8,0	24,0	288,0	1/2"	10	Ⓐ	8,0	17,5	-	-
MEAD3526	MEAD4526	5,2	15,6	282,0	1/2"	10	Ⓑ	5,2	11,5	-	-
MEAD3656	MEAD4656	6,5	19,5	285,0	1/2"	10	Ⓑ	6,5	14,3	-	-
MEAD3806	MEAD4806	8,0	24,0	288,0	1/2"	10	Ⓑ	8,0	17,5	-	-
MEAD5526	MEAD6526	5,2	15,6	283,0	1/2"	10	Ⓒ	5,2	-	13,0	9,9
MEAD5656	MEAD6656	6,5	19,5	286,0	1/2"	10	Ⓒ	6,5	-	16,0	12,3
MEAD5806	MEAD6806	8,0	24,0	288,0	1/2"	10	Ⓒ	8,0	-	17,0	12,3

Delivery times by appointment

Cannulae for ECC

Arterial cannulae

Aortic cannula X-Flow with/without wire reinforcing



- Ⓐ Aortic head bent with suture flange
- Ⓑ Aortic head bent with collar
- Ⓒ Aortic head straight with collar

Article number		General configuration			Connection	PU	Configuration cannula tip				
with spring	without spring	Ø [mm]	Ø [Fr]	Length [mm]			Typ	Ø A [mm]	B [mm]	C [mm]	D [mm]
MEAD1527	MEAD2527	5,2	15,6	242,0	3/8"	10	Ⓐ	5,2	11,5	-	-
MEAD1657	MEAD2657	6,5	19,5	245,0	3/8"	10	Ⓐ	6,5	14,3	-	-
MEAD1807	MEAD2807	8,0	24,0	244,0	3/8"	10	Ⓐ	8,0	17,5	-	-
MEAD3527	MEAD4527	5,2	15,6	242,0	3/8"	10	Ⓑ	5,2	11,5	-	-
MEAD3657	MEAD4657	6,5	19,5	245,0	3/8"	10	Ⓑ	6,5	14,3	-	-
MEAD3807	MEAD4807	8,0	24,0	244,0	3/8"	10	Ⓑ	8,0	17,5	-	-
MEAD5527	MEAD6527	5,2	15,6	243,0	3/8"	10	Ⓒ	5,2	-	13,0	9,9
MEAD5657	MEAD6657	6,5	19,5	246,0	3/8"	10	Ⓒ	6,5	-	16,0	12,3
MEAD5807	MEAD6807	8,0	24,0	244,0	3/8"	10	Ⓒ	8,0	-	17,0	12,3

Delivery times by appointment

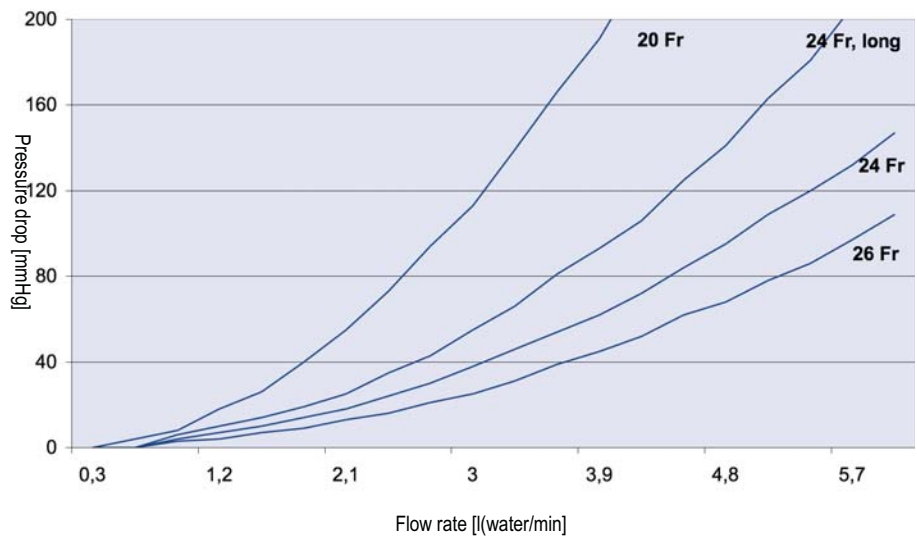
Cannulae for ECC

Arterial cannulae

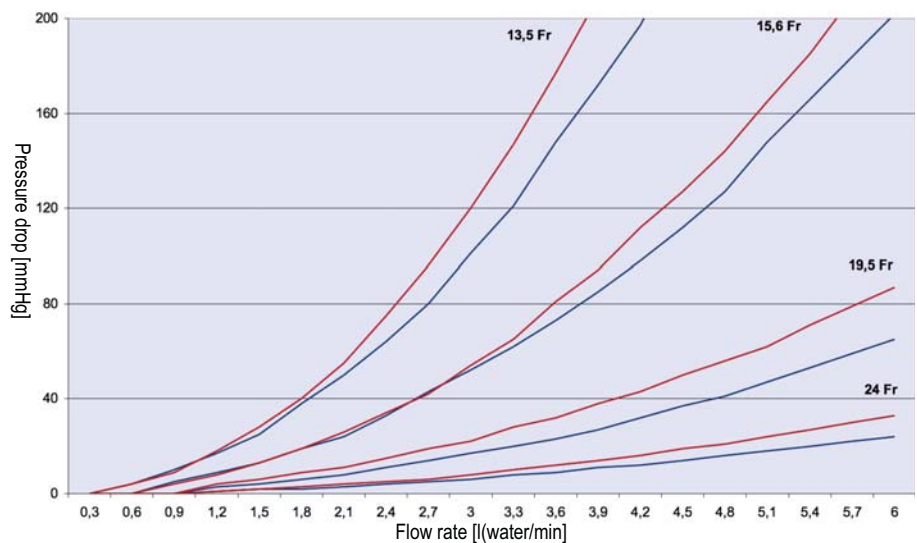
Flow rates of arterial cannulae: MEA 02**, MEA 5***, MEA 3***



Aortic cannula with soft/ hardened tip MEA 02**



Aortic cannula, straight MEA 5***/ bent MEA 3***



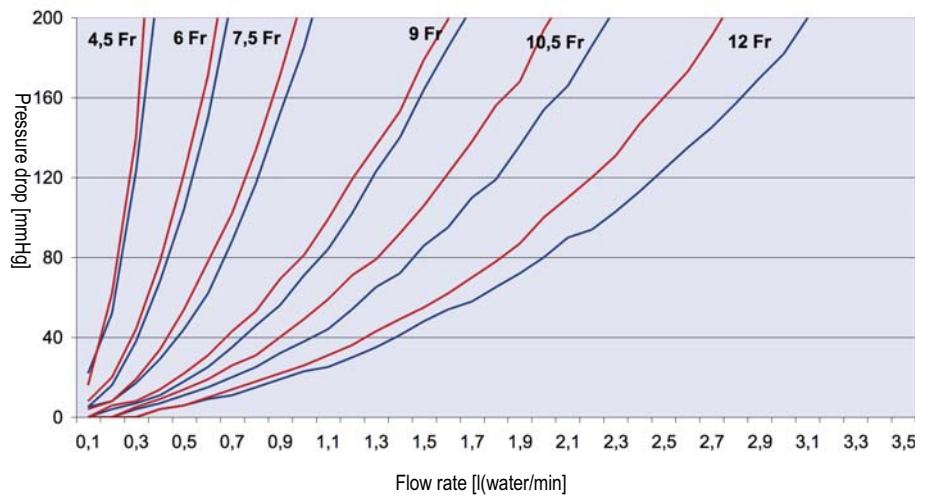
Cannulae for ECC

Arterial cannulae

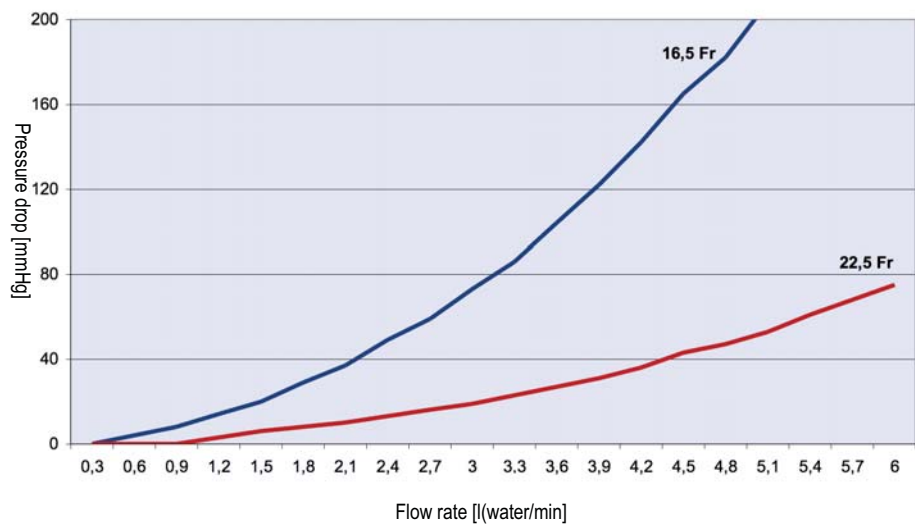
Flow rates of arterial cannulae: MEA 7***, MEA 8***, MEA 9***



Pediatric arterial cannula, 135° MEA 7***/ 90° MEA 8*** bent



Arterial femoral cannula MEA 9***



Cannulae for ECC

Venous cannulae

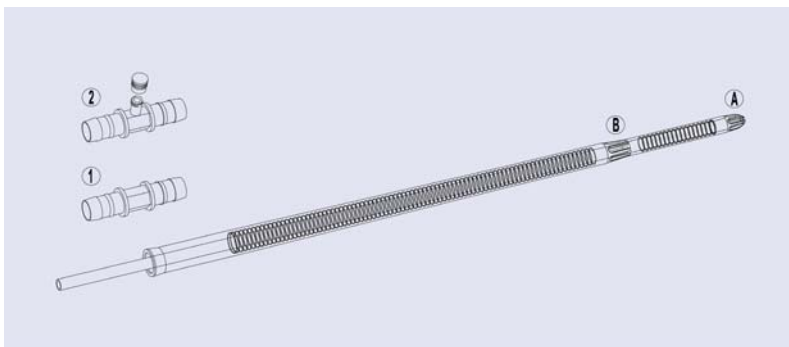
Table of contents

Two stage cannula proximal and distal wire reinforced, with/without connector, with/without LL	24
Two stage cannula with/without connector, with/without LL	25
Two stage cannula, proximal wire reinforced, with/without connector, with/without LL	26
Venous cannula with/without wire reinforcing	27
Venous cannula, 90° angled, wire reinforced, with/without suture ring	28
Pediatric venous cannula, wire reinforced, 90° angled	29
Flow rates of venous cannulae: MEV 2***, MEV 31**	30
Flow rates of venous cannulae: MEV 41**	31

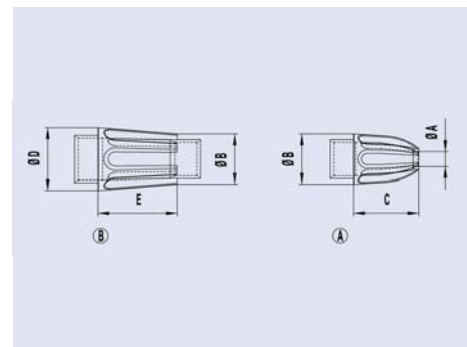
Cannulae for ECC

Venous cannulae

Two stage cannula proximal and distal wire reinforced, with/without connector, with/without LL



- ① without LL
- ② with LL



- Ⓐ Venous head
- Ⓑ Two stage cage

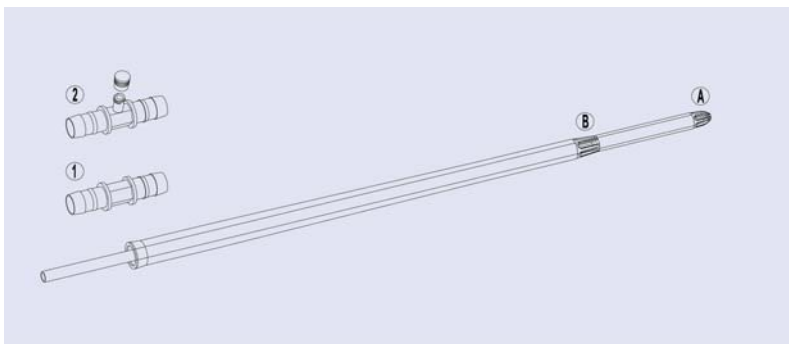
Article number	General configuration			Connection	PU	Configuration cannula tip				
	Ø prox. [Fr.]	Ø dist. [Fr.]	Length [mm]			Ø A [mm]	Ø B [mm]	C [mm]	Ø D [mm]	E [mm]
MEV1136	36,0	32,0	480,0	3/8"	10	3,2	10,7	14,0	13,4	17,0
MEV1140	40,0	32,0	480,0	1/2"	10	3,2	10,7	14,0	13,4	17,0
MEV1146	46,0	36,0	495,0	1/2"	10	4,0	12,1	16,0	15,4	19,5
MEV1150	50,0	36,0	495,0	1/2"	10	4,0	12,1	16,0	16,8	22,0
MEV1440	40,0	32,0	430,0	1/2"	10	3,2	10,7	14,0	13,4	17,0
MEV1446	46,0	36,0	445,0	1/2"	10	4,0	12,1	16,0	15,4	19,5
MEV1450	50,0	36,0	445,0	1/2"	10	4,0	12,1	16,0	16,8	22,0
MEV6136	36,0	32,0	510,0	① 3/8"	10	3,2	10,7	14,0	13,4	17,0
MEV6140	40,0	32,0	510,0	① 1/2"	10	3,2	10,7	14,0	13,4	17,0
MEV6146	46,0	36,0	525,0	① 1/2"	10	4,0	12,1	16,0	15,4	19,5
MEV6150	50,0	36,0	525,0	① 1/2"	10	4,0	12,1	16,0	16,8	22,0
MEV6440	40,0	32,0	460,0	① 1/2"	10	3,2	10,7	14,0	13,4	17,0
MEV6446	46,0	36,0	475,0	① 1/2"	10	4,0	12,1	16,0	15,4	19,5
MEV6450	50,0	36,0	475,0	① 1/2"	10	4,0	12,1	16,0	16,8	22,0
MEV7136	36,0	32,0	510,0	② 1/2"	10	3,2	10,7	14,0	13,4	17,0
MEV7140	40,0	32,0	510,0	② 1/2"	10	3,2	10,7	14,0	13,4	17,0
MEV7146	46,0	36,0	525,0	② 1/2"	10	4,0	12,1	16,0	15,4	19,5
MEV7150	50,0	36,0	525,0	② 1/2"	10	4,0	12,1	16,0	16,8	22,0
MEV7440	40,0	32,0	460,0	② 1/2"	10	3,2	10,7	14,0	13,4	17,0
MEV7446	46,0	36,0	475,0	② 1/2"	10	4,0	12,1	16,0	15,4	19,5
MEV7450	50,0	36,0	475,0	② 1/2"	10	4,0	12,1	16,0	16,8	22,0

Delivery times by appointment

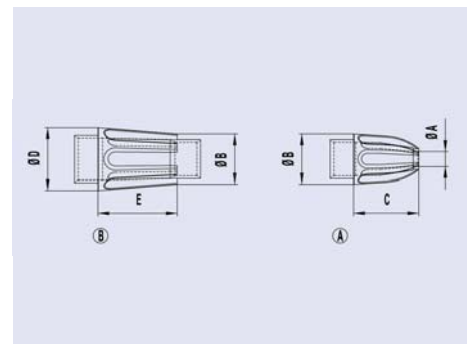
Cannulae for ECC

Venous cannulae

Two stage cannula with/without connector, with/without LL



- ① without LL
- ② with LL



- Ⓐ Venous head
- Ⓑ Two stage cage

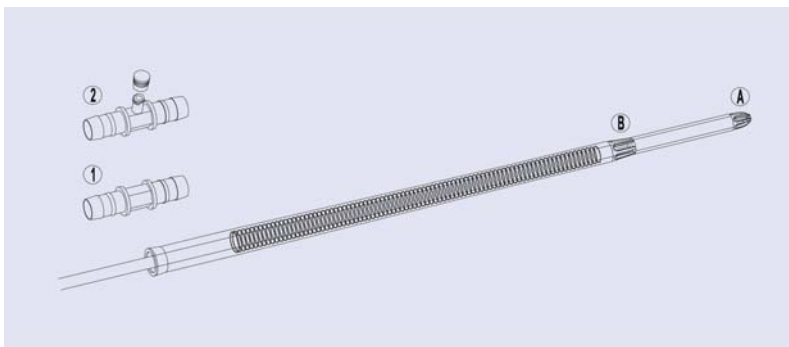
Article number	General configuration			Connection	PU	Configuration cannula tip				
	Ø prox. [Fr.]	Ø dist. [Fr.]	Length [mm]			Ø A [mm]	Ø B [mm]	C [mm]	Ø D [mm]	E [mm]
MEV1250	50,0	36,0	495,0	1/2"	10	4,0	12,1	16,0	16,8	22,0
MEV1550	50,0	36,0	445,0	1/2"	10	4,0	12,1	16,0	16,8	22,0
MEV6250	50,0	36,0	525,0	① 1/2"	10	4,0	12,1	16,0	16,8	22,0
MEV6550	50,0	36,0	475,0	① 1/2"	10	4,0	12,1	16,0	16,8	22,0
MEV7250	50,0	36,0	525,0	② 1/2"	10	4,0	12,1	16,0	16,8	22,0
MEV7550	50,0	36,0	475,0	② 1/2"	10	4,0	12,1	16,0	16,8	22,0

Delivery times by appointment

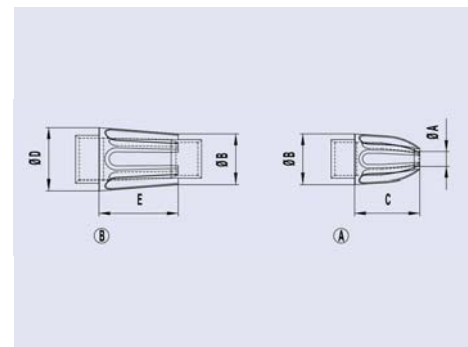
Cannulae for ECC

Venous cannulae

Two stage cannula, proximal wire reinforced, with/without connector, with/without LL



- ① without LL
- ② with LL



- Ⓐ Venous head
- Ⓑ Two stage cage

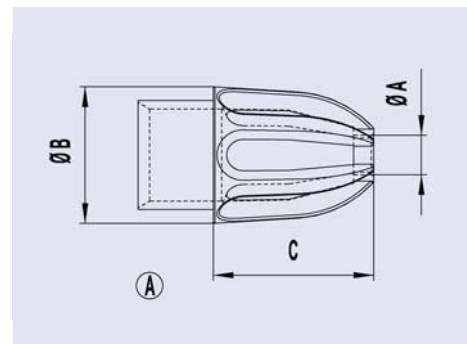
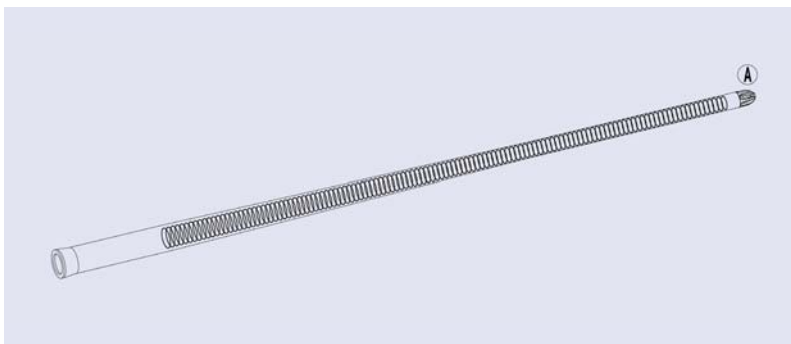
Article number	General configuration			Connection	PU	Configuration cannula tip				
	Ø prox. [Fr.]	Ø dist. [Fr.]	Length [mm]			Ø A [mm]	Ø B [mm]	C [mm]	Ø D [mm]	E [mm]
MEV1340	40,0	32,0	480,0	1/2"	10	3,2	10,7	14,0	13,4	17,0
MEV1346	46,0	36,0	495,0	1/2"	10	4,0	12,1	16,0	15,4	19,5
MEV1350	50,0	36,0	495,0	1/2"	10	4,0	12,1	16,0	16,8	22,0
MEV1646	46,0	36,0	445,0	1/2"	10	4,0	12,1	16,0	15,4	19,5
MEV1650	50,0	36,0	445,0	1/2"	10	4,0	12,1	16,0	16,8	22,0
MEV6340	40,0	32,0	510,0	① 1/2"	10	3,2	10,7	14,0	13,4	17,0
MEV6346	46,0	36,0	525,0	① 1/2"	10	4,0	12,1	16,0	15,4	19,5
MEV6350	50,0	36,0	525,0	① 1/2"	10	4,0	12,1	16,0	16,8	22,0
MEV6646	46,0	36,0	475,0	① 1/2"	10	4,0	12,1	16,0	15,4	19,5
MEV6650	50,0	36,0	475,0	① 1/2"	10	4,0	12,1	16,0	16,8	22,0
MEV7340	40,0	32,0	510,0	② 1/2"	10	3,2	10,7	14,0	13,4	17,0
MEV7346	46,0	36,0	525,0	② 1/2"	10	4,0	12,1	16,0	15,4	19,5
MEV7350	50,0	36,0	525,0	② 1/2"	10	4,0	12,1	16,0	16,8	22,0
MEV7646	46,0	36,0	475,0	② 1/2"	10	4,0	12,1	16,0	15,4	19,5
MEV7650	50,0	36,0	475,0	② 1/2"	10	4,0	12,1	16,0	16,8	22,0

Delivery times by appointment

Cannulae for ECC

Venous cannulae

Venous cannula with/without wire reinforcing



Ⓐ Venous head

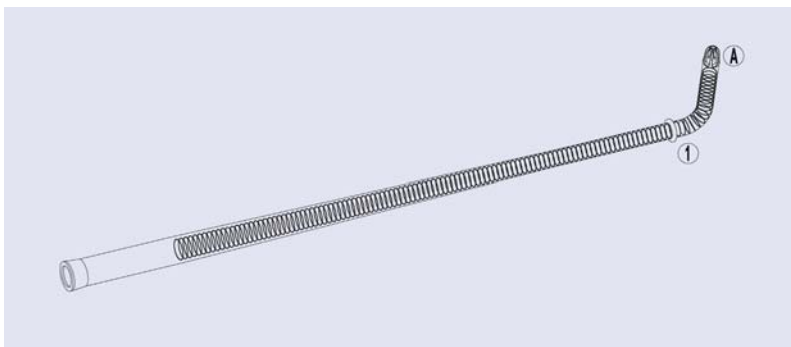
Article number		General configuration				Configuration cannula tip		
with spring	without spring	Ø [Fr]	Length [mm]	Connection	PU	Ø A [mm]	Ø B [mm]	C [mm]
MEV2114	MEV2214	14,0	320,0	1/4"	10	1,6	4,7	6,0
MEV2116	MEV2216	16,0	320,0	1/4"	10	1,85	5,4	6,9
MEV2118	MEV2218	18,0	320,0	1/4"	10	2,1	6,0	7,66
MEV2120	MEV2220	20,0	320,0	1/4"	10	2,3	6,7	8,55
MEV2122	MEV2222	22,0	320,0	1/4"	10	2,3	7,4	8,7
MEV2124	MEV2224	24,0	390,0	3/8"	10	2,3	8,1	9,6
MEV2128	MEV2228	28,0	390,0	3/8"	10	2,7	9,4	11,5
MEV2132	MEV2232	32,0	390,0	3/8"	10	3,2	10,7	14,0
MEV2134	MEV2234	34,0	390,0	3/8"	10	3,8	11,4	15,1
MEV2136	MEV2236	36,0	390,0	3/8"	10	4,0	12,1	16,0
MEV2140	MEV2240	40,0	390,0	1/2"	10	4,5	13,4	17,0
MEV2150	MEV2250	50,0	390,0	1/2"	10	5,0	16,8	19,0

Delivery times by appointment

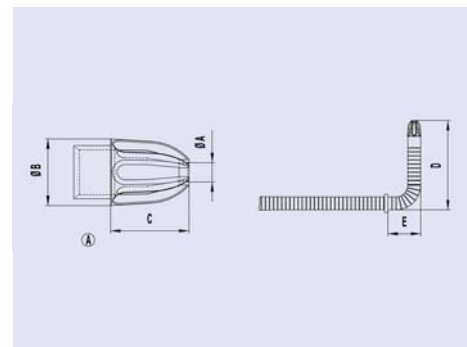
Cannulae for ECC

Venous cannulae

Venous cannula, 90° angled, wire reinforced, with/without suture ring



① Suture ring



Ⓐ Venous head

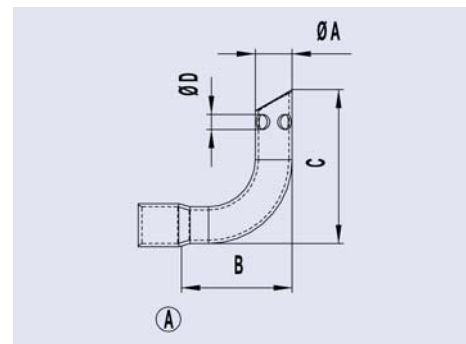
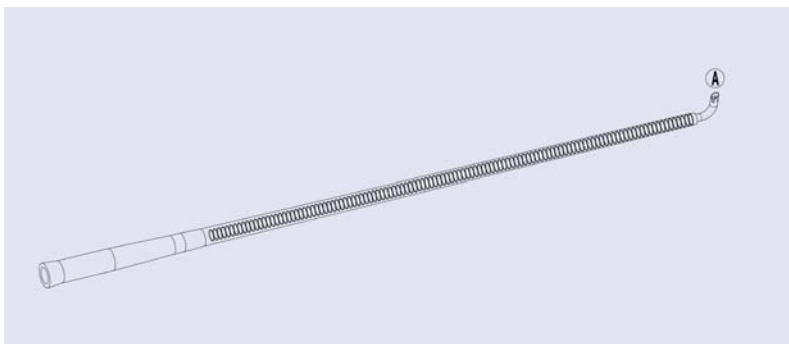
Article number	General configuration				Ring	Connection	PU	Configuration cannula tip		
	Ø [Fr]	Total length [mm]	D [mm]	E [mm]				Ø A [mm]	Ø B [mm]	C [mm]
MEV3114	14,0	320,0	30,0	-	-	1/4"	10	1,6	4,7	6,0
MEV3116	16,0	320,0	35,0	-	-	1/4"	10	1,85	5,4	6,9
MEV3118	18,0	320,0	40,0	-	-	1/4"	10	2,1	6,0	7,66
MEV3120	20,0	320,0	45,0	-	-	1/4"	10	2,3	6,7	8,55
MEV3122	22,0	320,0	50,0	-	-	1/4"	10	2,3	7,4	8,7
MEV3124	24,0	390,0	55,0	20,0	①	3/8"	10	2,3	8,1	9,6
MEV3128	28,0	390,0	62,0	21,0	①	3/8"	10	2,7	9,4	11,5
MEV3132	32,0	390,0	67,0	26,0	①	3/8"	10	3,2	10,7	14,0
MEV3134	34,0	390,0	70,0	27,0	①	3/8"	10	3,8	11,4	15,1
MEV3136	36,0	390,0	73,0	33,0	①	3/8"	10	4,0	12,1	16,0
MEV3140	40,0	390,0	77,0	35,0	①	1/2"	10	4,5	13,4	17,0

Delivery times by appointment

Cannulae for ECC

Venous cannulae

Pediatric venous cannula, wire reinforced, 90° angled



Ⓐ Venous head 90°

Article number	General configuration					Configuration cannula tip			
	Ø [mm]	Ø [Fr]	Length [mm]	Connection	PU	Ø A [mm]	B [mm]	C [mm]	Ø D [mm]
MEV4110	3,3	10,0	320,0	3/16 - 1/4"	10	3,4	10,2	14,2	1,4
MEV4112	4,0	12,0	320,0	3/16 - 1/4"	10	4,0	12,5	17,0	1,6
MEV4114	4,7	14,0	320,0	1/4"	10	4,7	14,35	19,85	2,0
MEV4116	5,3	16,0	320,0	1/4"	10	5,4	16,7	22,7	2,2
MEV4118	6,0	18,0	320,0	1/4"	10	6,0	18,5	25,5	2,5
MEV4120	6,7	20,0	320,0	1/4"	10	6,7	21,35	28,35	2,8

Delivery times by appointment

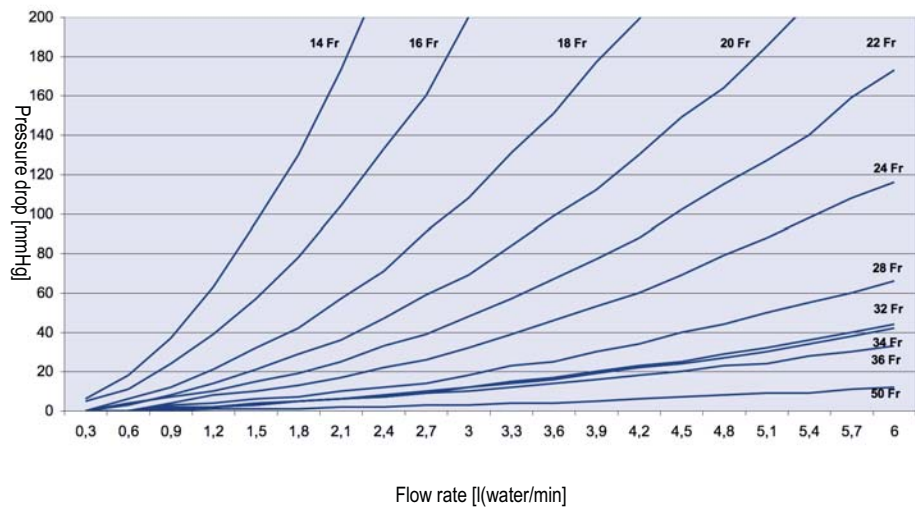
Cannulae for ECC

Venous cannulae

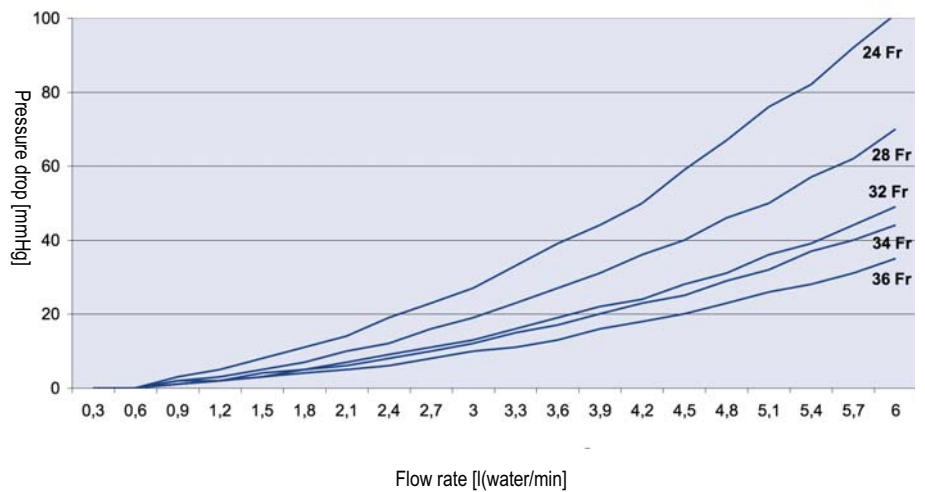
Flow rates of venous cannulae: MEV 2^{***}, MEV 31^{**}



Venous cannula, straight, MEV 2^{***}



Venous cannula, 90° bent, MEV 31^{**}



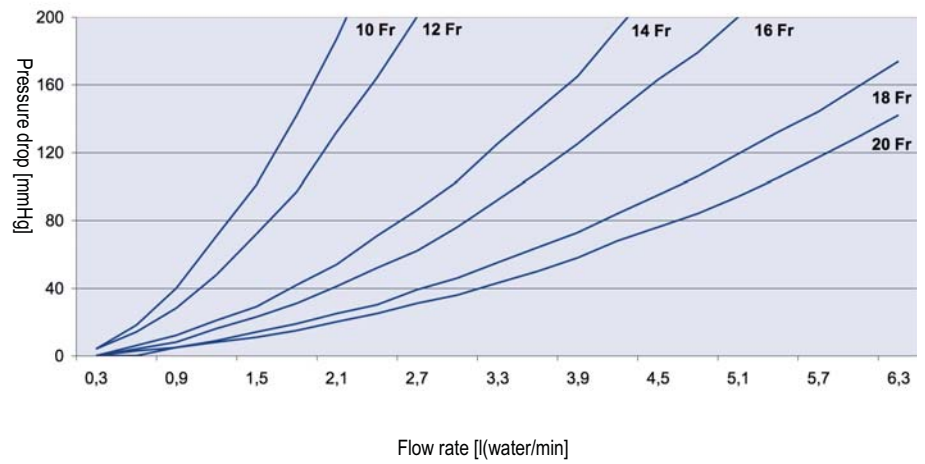
Cannulae for ECC

Venous cannulae

Flow rates of venous cannulae: MEV 41**



Pediatric venous cannula, MEV 41**



Cannulae for ECC 

Femoral cannulae 

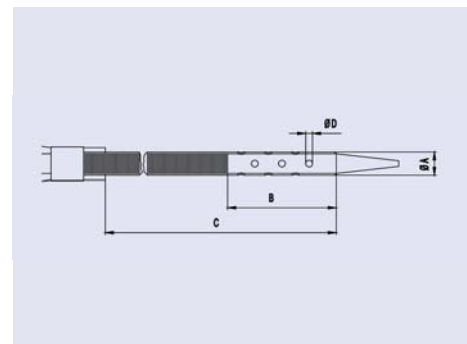
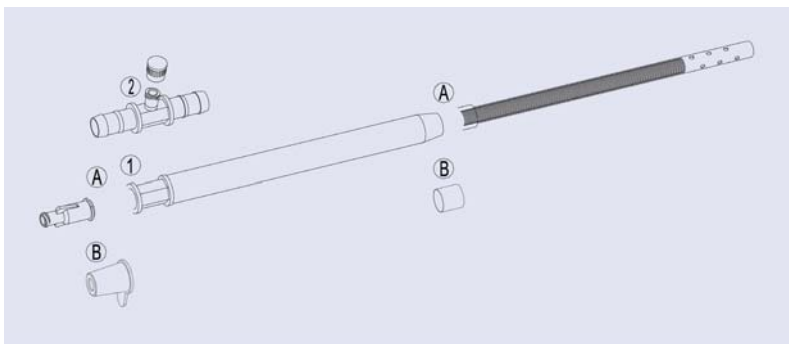
Table of contents 

Arterial and venous femoral cannula	33
Arterial and venous femoral cannula kit	34
Insertion kit for arterial and venous femoral cannula	35
Flow rates of arterial and venous femoral cannulae: MEFKA**, MEFKV**	36

Cannulae for ECC

Femoral cannulae

Arterial and venous femoral cannula



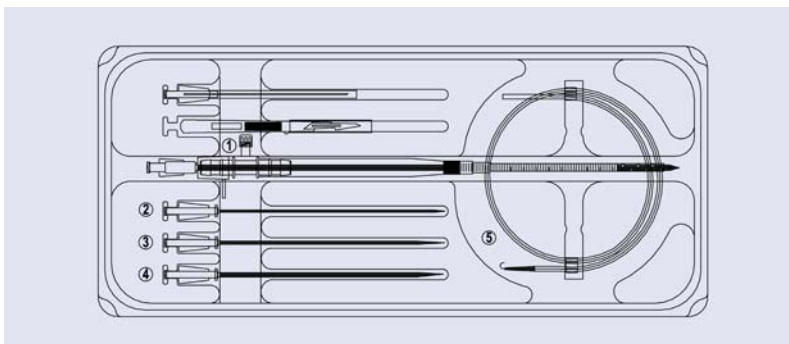
Article number ①	Article number ②	General configuration			Connection	Typ	PU	Configuration cannula tip			
		Ø [mm]	Ø [Fr]	Length [mm]				Ø A [mm]	B [mm]	C [mm]	D [mm]
MEFKA16	MEFKA16L	5,3	16,0	383,0	3/8"	Ⓐ	1	5,3	40,0	168,0	2,5
MEFKA18	MEFKA18L	6,0	18,0	383,0	3/8"	Ⓐ	1	6,0	40,0	168,0	2,5
MEFKA20	MEFKA20L	6,6	20,0	383,0	3/8"	Ⓐ	1	6,6	40,0	168,0	2,5
MEFKA22	MEFKA22L	7,3	22,0	383,0	3/8"	Ⓐ	1	7,3	40,0	168,0	2,5
MEFKA24	MEFKA24L	8,0	24,0	383,0	3/8"	Ⓐ	1	8,0	40,0	168,0	2,5
MEFKA26	MEFKA26L	8,6	26,0	383,0	3/8"	Ⓐ	1	8,6	40,0	168,0	2,5
MEFKV18	MEFKV18L	6,0	18,0	807,0	3/8"	Ⓑ	1	6,0	40,0	592,0	2,5
MEFKV20	MEFKV20L	6,6	20,0	807,0	3/8"	Ⓑ	1	6,6	40,0	592,0	2,5
MEFKV22	MEFKV22L	7,3	22,0	807,0	3/8"	Ⓑ	1	7,3	40,0	592,0	2,5
MEFKV24	MEFKV24L	8,0	24,0	807,0	3/8"	Ⓑ	1	8,0	40,0	592,0	2,5
MEFKV26	MEFKV26L	8,6	26,0	807,0	3/8"	Ⓑ	1	8,6	40,0	592,0	2,5
MEFKV28	MEFKV28L	9,3	28,0	807,0	3/8"	Ⓑ	1	9,3	40,0	592,0	2,5

Delivery times by appointment

Cannulae for ECC

Femoral cannulae

Arterial and venous femoral cannula kit



- Ⓐ arterial
Ⓥ venous

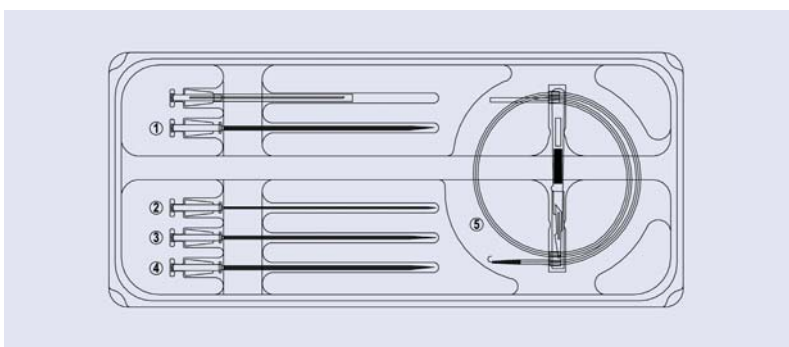
Article number without Luer	① with Luer	Cannula Ø [Fr]	Typ	Configuration kit				PU
				② Dilator	③ Dilator	④ Dilator	⑤ Guidewire	
MEFKKA16	MEFKKA16L	16,0	Ⓐ	8Fr, 190mm	12Fr, 190mm	14Fr, 190mm	0,035" x 700mm	1
MEFKKA18	MEFKKA18L	18,0	Ⓐ	8Fr, 190mm	12Fr, 190mm	14Fr, 190mm	0,035" x 700mm	1
MEFKKA20	MEFKKA20L	20,0	Ⓐ	8Fr, 190mm	12Fr, 190mm	14Fr, 190mm	0,035" x 700mm	1
MEFKKA22	MEFKKA22L	22,0	Ⓐ	12Fr, 190mm	14Fr, 190mm	18Fr, 190mm	0,035" x 700mm	1
MEFKKA24	MEFKKA24L	24,0	Ⓐ	12Fr, 190mm	14Fr, 190mm	18Fr, 190mm	0,035" x 700mm	1
MEFKKA26	MEFKKA26L	26,0	Ⓐ	12Fr, 190mm	14Fr, 190mm	18Fr, 190mm	0,035" x 700mm	1
MEFKKV18	MEFKKV18L	18,0	Ⓥ	8Fr, 190mm	12Fr, 190mm	14Fr, 190mm	0,035" x 1400mm	1
MEFKKV20	MEFKKV20L	20,0	Ⓥ	8Fr, 190mm	12Fr, 190mm	14Fr, 190mm	0,035" x 1400mm	1
MEFKKV22	MEFKKV22L	22,0	Ⓥ	12Fr, 190mm	14Fr, 190mm	18Fr, 190mm	0,035" x 1400mm	1
MEFKKV24	MEFKKV24L	24,0	Ⓥ	12Fr, 190mm	14Fr, 190mm	18Fr, 190mm	0,035" x 1400mm	1
MEFKKV26	MEFKKV26L	26,0	Ⓥ	12Fr, 190mm	14Fr, 190mm	18Fr, 190mm	0,035" x 1400mm	1
MEFKKV28	MEFKKV28L	28,0	Ⓥ	12Fr, 190mm	14Fr, 190mm	18Fr, 190mm	0,035" x 1400mm	1

Delivery times by appointment

Cannulae for ECC

Femoral cannulae

Insertion kit for arterial and venous femoral cannula



- Ⓐ arterial
- Ⓥ venous

Article number	Cannula Typ	Configuration kit					PU
		① Dilator	② Dilator	③ Dilator	④ Dilator	⑤ Guidewire	
MEFKIKA	Ⓐ	8Fr, 190mm	12Fr, 190mm	14Fr, 190mm	18Fr, 190mm	0,035" x 700mm	1
MEFKIKV	Ⓥ	8Fr, 190mm	12Fr, 190mm	14Fr, 190mm	18Fr, 190mm	0,035" x 1400mm	1

Delivery times by appointment

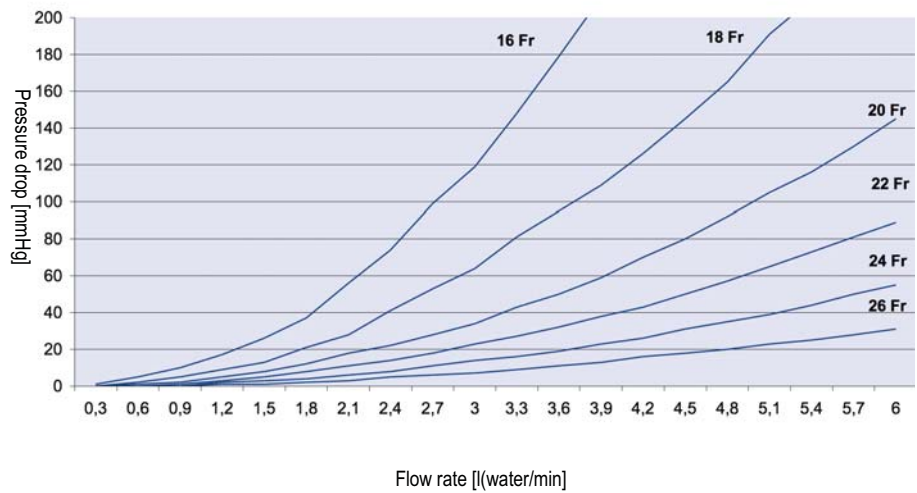
Cannulae for ECC

Femoral cannulae

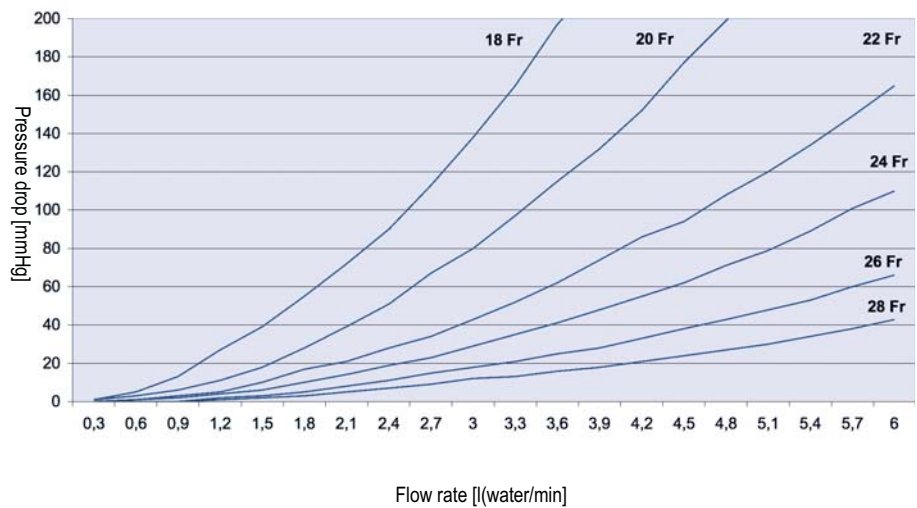
Flow rates of arterial and venous femoral cannulae: MEFKA**, MEFKV**



Arterial femoral cannula MEFKA**



Venous femoral cannula MEFKV**



Cardioplegia cannulae



Aortic root cannulae



Table of contents

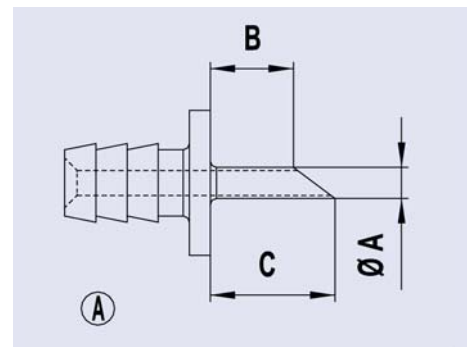
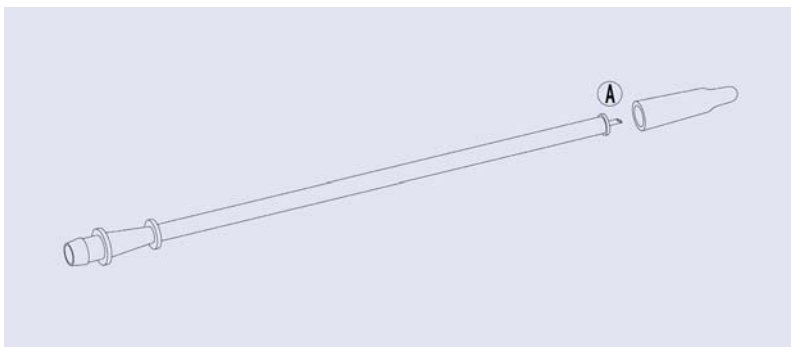


Aortic root cannula for infants, stainless steel tip	38
Aortic root cannula without vent line	39
Aortic root cannula with vent line	40

Cardioplegia cannulae

Aortic root cannulae

Aortic root cannula for infants, stainless steel tip



Ⓐ Metal head for aortic roots

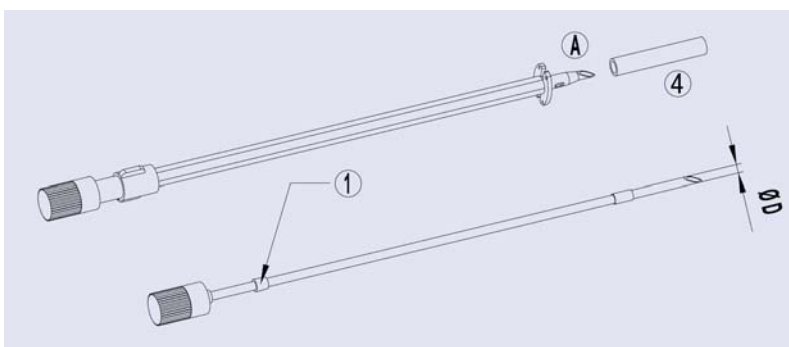
Article number	General configuration			Connection	PU	Configuration cannula tip		
	Ø [mm]	Ø [Fr]	Length [mm]			Ø A [mm]	B [mm]	C [mm]
MER1001	1,5	4,5	180,0	1/4"	10	1,5	4,0	6,0
MER1002	1,5	4,5	180,0	3/8"	10	1,5	4,0	6,0

Delivery times by appointment

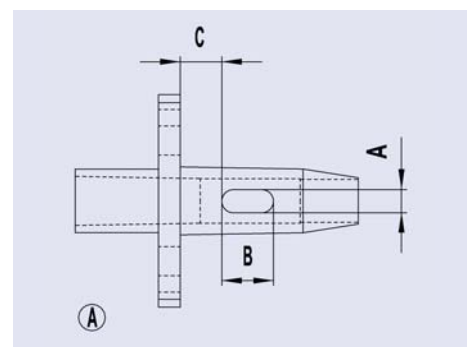
Cardioplegia cannulae

Aortic root cannulae

Aortic root cannula without vent line



- ① Flow guard ring
- ④ Protective tube



Ⓐ Head for aortic roots

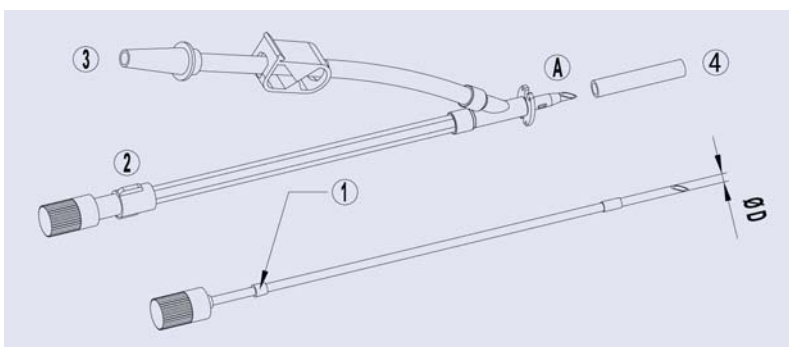
Article number	General configuration			Ring	Luer Lock	PU	Configuration cannula tip			
	Ø [mm]	Ø [Fr]	Length [mm]				A [mm]	B [mm]	C [mm]	Ø D [mm]
MER1015	1,5	4,5	155,0	-	LL ♀	10	0,8	2,6	2,5	1,5
MER1020	2,0	6,0	155,0	-	LL ♀	10	1,2	3,0	2,5	2,0
MER1026	2,6	7,8	155,0	-	LL ♀	10	1,4	3,1	2,5	2,6
MER01015	1,5	4,5	155,0	①	LL ♀	10	0,8	2,6	2,5	1,5
MER01020	2,0	6,0	155,0	①	LL ♀	10	1,2	3,0	2,5	2,0
MER01026	2,6	7,8	155,0	①	LL ♀	10	1,4	3,1	2,5	2,6

LL ♀ = LL femal Delivery times by appointment

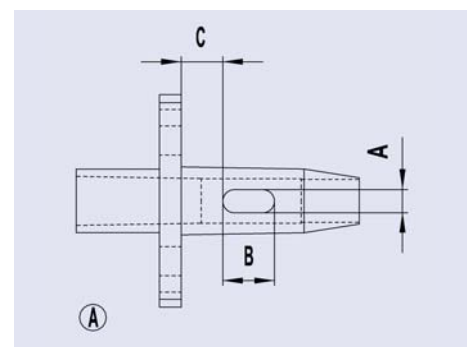
Cardioplegia cannulae

Aortic root cannulae

Aortic root cannula with vent line



- ① Flow guard ring
- ④ Protective tube



Ⓐ Head for aortic roots

Article number	General configuration			Ring	Connection	Luer Lock	PU	Configuration cannula tip			
	Ø [mm]	Ø [Fr]	Length [mm]					A [mm]	B [mm]	C [mm]	Ø D [mm]
MER2015	1,5	4,5	155,0	-	③ 1/4"	② LL ♀	10	0,8	2,6	2,5	1,5
MER2020	2,0	6,0	155,0	-	③ 1/4"	② LL ♀	10	1,2	3,0	2,5	2,0
MER2026	2,6	7,8	155,0	-	③ 1/4"	② LL ♀	10	1,4	3,1	2,5	2,6
MER02015	1,5	4,5	155,0	①	③ 1/4"	② LL ♀	10	0,8	2,6	2,5	1,5
MER02020	2,0	6,0	155,0	①	③ 1/4"	② LL ♀	10	1,2	3,0	2,5	2,0
MER02026	2,6	7,8	155,0	①	③ 1/4"	② LL ♀	10	1,4	3,1	2,5	2,6

LL ♀ = LL femal Delivery times by appointment

Cardioplegia cannulae 

Coronary ostial perfusion cannulae 

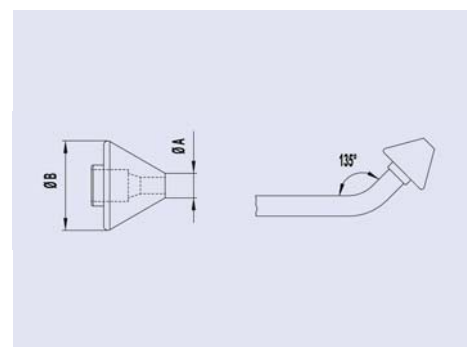
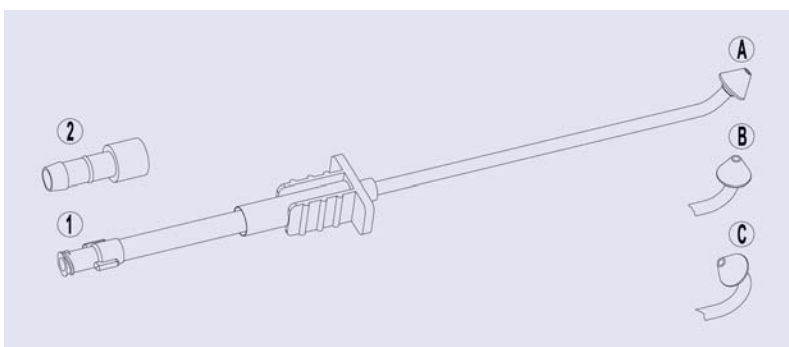
Table of contents 

Coronary ostial perfusion cannula, universal size silicon tip	42
Coronary ostial perfusion cannula, punched silicon tip	43

Cardioplegia cannulae

Coronary ostial perfusion cannulae

Coronary ostial perfusion cannula, universal size silicon tip



Coronary ostial perfusion head

- Ⓐ Coronary ostial perfusion cannula, 135° bent
- Ⓑ Coronary ostial perfusion cannula, 90° bent
- Ⓒ Coronary ostial perfusion cannula, 45° bent

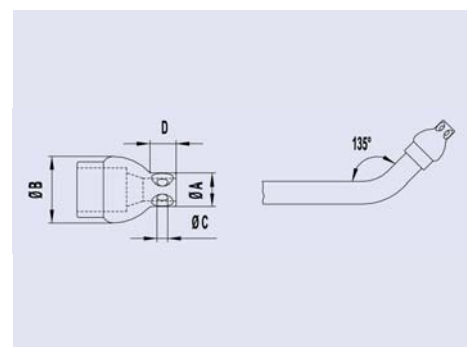
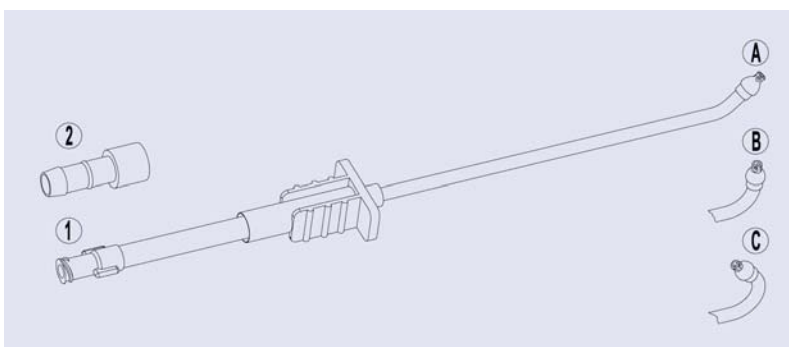
Article number	General configuration			Connection	PU	Configuration cannula tip		
	Ø [mm]	Ø [Fr]	Length [mm]			Typ	Ø A [mm]	Ø B [mm]
MEP1199	3,0	9,0	240,0	① LL ♀	10	Ⓐ	3,0	10,93
MEP1299	3,0	9,0	250,0	② 1/4"	10	Ⓐ	3,0	10,93
MEP2199	3,0	9,0	240,0	① LL ♀	10	Ⓑ	3,0	10,93
MEP2299	3,0	9,0	250,0	② 1/4"	10	Ⓑ	3,0	10,93
MEP3199	3,0	9,0	240,0	① LL ♀	10	Ⓒ	3,0	10,93
MEP3299	3,0	9,0	250,0	② 1/4"	10	Ⓒ	3,0	10,93

LL ♀ = LL femal Delivery times by appointment

Cardioplegia cannulae

Coronary ostial perfusion cannulae

Coronary ostial perfusion cannula, punched silicon tip



Coronary ostial perfusion head

- Ⓐ Coronary ostial perfusion cannula, 135° bent
- Ⓑ Coronary ostial perfusion cannula, 90° bent
- Ⓒ Coronary ostial perfusion cannula, 45° bent

Article number	General configuration		Length [mm]	Connection	PU	Configuration cannula tip				
	Ø [mm]	Ø [Fr]				Typ	Ø A [mm]	Ø B [mm]	Ø C [mm]	D [mm]
MEP1130	3,0	9,0	240,0	① LL ♀	10	Ⓐ	3,0	6,0	0,8	2,4
MEP1135	3,5	10,5	240,0	① LL ♀	10	Ⓐ	3,5	7,0	1,1	2,8
MEP1140	4,0	12,0	240,0	① LL ♀	10	Ⓐ	4,0	8,0	1,25	3,2
MEP1230	3,0	9,0	250,0	② 1/4"	10	Ⓐ	3,0	6,0	0,8	2,4
MEP1235	3,5	10,5	250,0	② 1/4"	10	Ⓐ	3,5	7,0	1,1	2,8
MEP1240	4,0	12,0	250,0	② 1/4"	10	Ⓐ	4,0	8,0	1,25	3,2
MEP2130	3,0	9,0	240,0	① LL ♀	10	Ⓑ	3,0	6,0	0,8	2,4
MEP2135	3,5	10,5	240,0	① LL ♀	10	Ⓑ	3,5	7,0	1,1	2,8
MEP2140	4,0	12,0	240,0	① LL ♀	10	Ⓑ	4,0	8,0	1,25	3,2
MEP2230	3,0	9,0	250,0	② 1/4"	10	Ⓑ	3,0	6,0	0,8	2,4
MEP2235	3,5	10,5	250,0	② 1/4"	10	Ⓑ	3,5	7,0	1,1	2,8
MEP2240	4,0	12,0	250,0	② 1/4"	10	Ⓑ	4,0	8,0	1,25	3,2
MEP3130	3,0	9,0	240,0	① LL ♀	10	Ⓒ	3,0	6,0	0,8	2,4
MEP3135	3,5	10,5	240,0	① LL ♀	10	Ⓒ	3,5	7,0	1,1	2,8
MEP3140	4,0	12,0	240,0	① LL ♀	10	Ⓒ	4,0	8,0	1,25	3,2
MEP3230	3,0	9,0	250,0	② 1/4"	10	Ⓒ	3,0	6,0	0,8	2,4
MEP3235	3,5	10,5	250,0	② 1/4"	10	Ⓒ	3,5	7,0	1,1	2,8
MEP3240	4,0	12,0	250,0	② 1/4"	10	Ⓒ	4,0	8,0	1,25	3,2

LL ♀ = LL femal Delivery times by appointment

Suction cannulae 

Vent catheters 

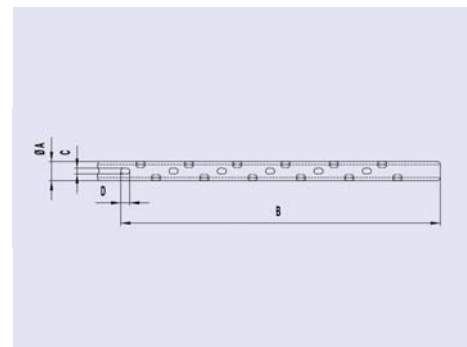
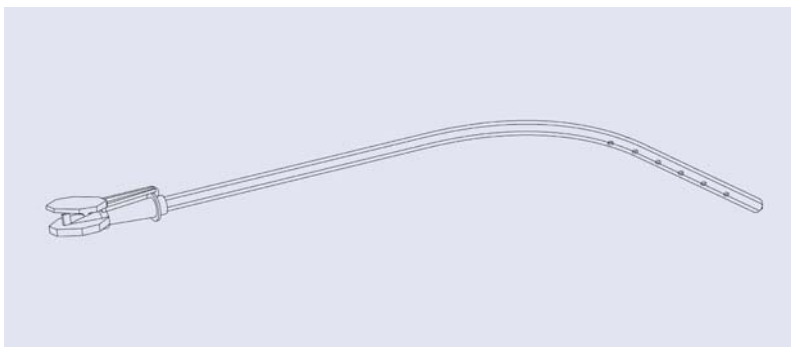
Table of contents 

Vent catheter with stylet	45
Vent catheter with closed tip	46
Vent catheter with closed tip, malleable	47

Suction cannulae

Vent catheters

Vent catheter with stylet



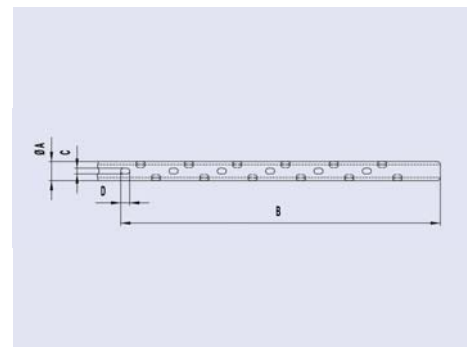
Article number	General configuration					Configuration cannula tip			
	Ø [mm]	Ø [Fr]	Length [mm]	Connection	PU	Ø A [mm]	B [mm]	C [mm]	D [mm]
MEW1060	6,0	18,0	360,0	1/4"	20	6,0	52,0	1,8	2,7
MEW2060	6,0	18,0	360,0	1/4"	20	6,0	97,0	2,0	3,4

Delivery times by appointment

Suction cannulae

Vent catheters

Vent catheter with closed tip



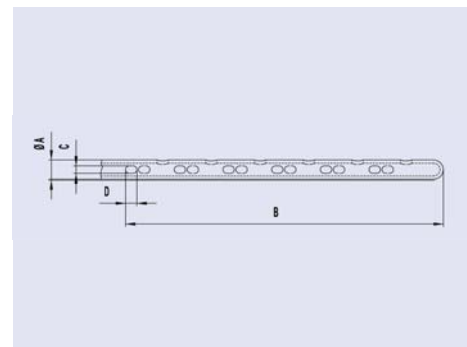
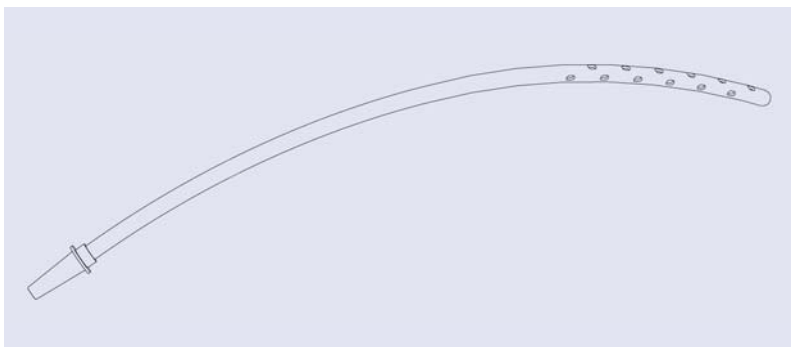
Article number	General configuration		Length [mm]	Connection	PU	Configuration cannula tip			
	Ø [mm]	Ø [Fr]				Ø A [mm]	B [mm]	C [mm]	D [mm]
MEW3060	6,0	18,0	340,0	1/4"	20	6,0	97,0	2,0	3,4

Delivery times by appointment

Suction cannulae

Vent catheters

Vent catheter with closed tip, malleable



Article number	General configuration					Configuration cannula tip			
	Ø [mm]	Ø [Fr]	Length [mm]	Connection	PU	Ø A [mm]	B [mm]	C [mm]	D [mm]
MEW4040	4,0	12,0	320,0	1/4"	20	4,0	40,0	2,0	3,4
MEW4060	6,0	18,0	320,0	1/4"	20	6,0	40,0	2,3	3,4
MEW5060	6,0	18,0	320,0	1/4"	20	6,0	97,0	2,3	3,4

Delivery times by appointment

Suction cannulae



Suckers



Table of contents



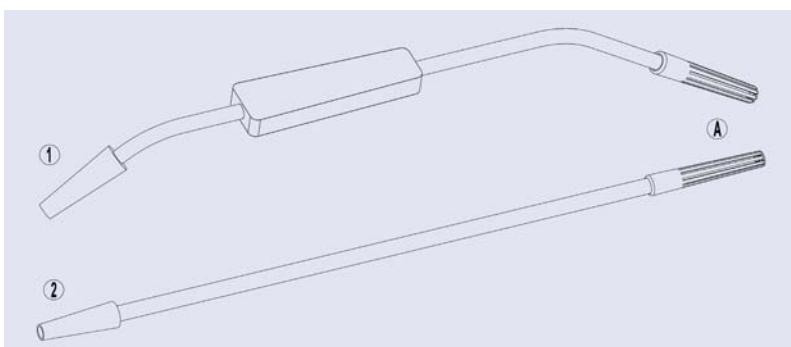
Solid/flexible sucker

49

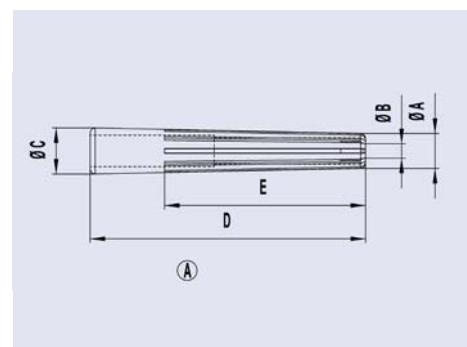
Suction cannulae

Suckers

Solid/flexible sucker



- ① Solid sucker
- ② Flexible sucker



Ⓐ Sucker head

Article number	General configuration			Connection	Typ	PU	Configuration cannula tip				
	Ø [mm]	Ø [Fr]	Length [mm]				Ø A [mm]	Ø B [mm]	Ø C [mm]	D [mm]	E [mm]
MES9570	7,0	21,0	340,0	1/4"	①	10	7,0	2,9	9,3	55,5	40,5
MES9670	7,0	21,0	430,0	1/4"	②	10	7,0	2,9	9,3	55,5	40,5

Delivery times by appointment

Heart assist cannulae 

VAD cannulae 

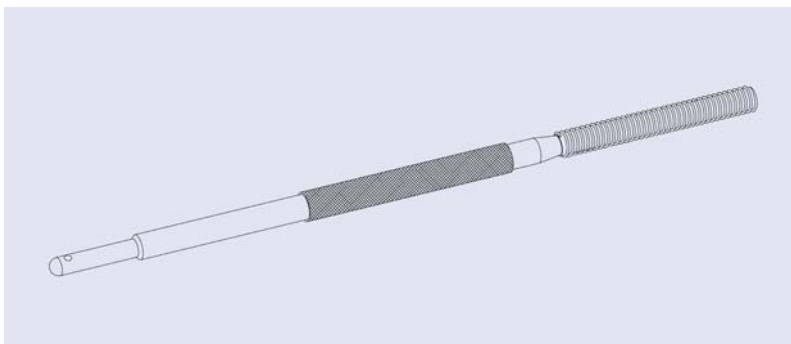
Table of contents 

Arterial VAD cannula with spiral reinforced ePTFE (Bard Impra®) graft, inclusive insertion aid and germ barrier	51
Arterial VAD cannula with gelatine coated Vascutek™ graft inclusive insertion aid und germ barrier	52
Venous VAD cannula, 135° bent tip, inclusive insertion aid and germ barrier	53
Apex VAD cannula, inclusive insertion aid and germ barrier	54

Heart assist cannulae

VAD cannulae

Arterial VAD cannula with spiral reinforced ePTFE (Bard Impra®) graft, inclusive insertion aid and germ barrier



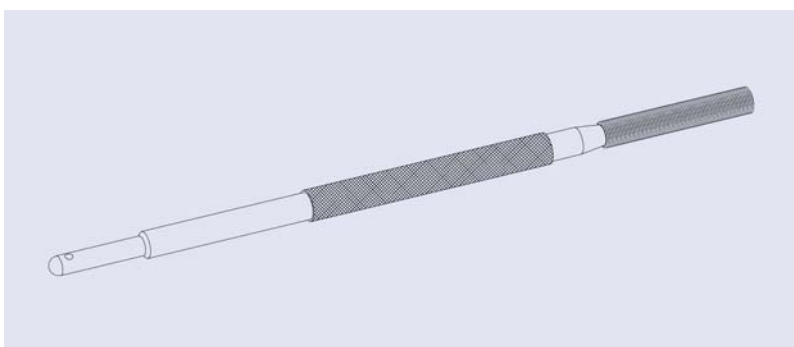
Article number	General configuration		Connection	Blood pump	PU
	Internal Ø [mm]	Internal Ø [Fr]			
ME656B0053	5,0	15,0	1/4"	9/10ml	1
ME656B0063	6,0	18,0	1/4"	9/10ml	1
ME656B0083	8,0	24,0	1/4"	9/10ml	1
ME656B0084	8,0	24,0	3/8"	22,5/25ml	1
ME656B0104	10,0	30,0	3/8"	22,5/25ml	1
ME656B0105	10,0	30,0	1/2"	54/60ml/72/80ml	1
ME656B0135	13,0	39,0	1/2"	54/60ml/72/80ml	1

Delivery times by appointment

Heart assist cannulae

VAD cannulae

Arterial VAD cannula with gelatine coated Vascutek™ graft inclusive insertion aid und germ barrier



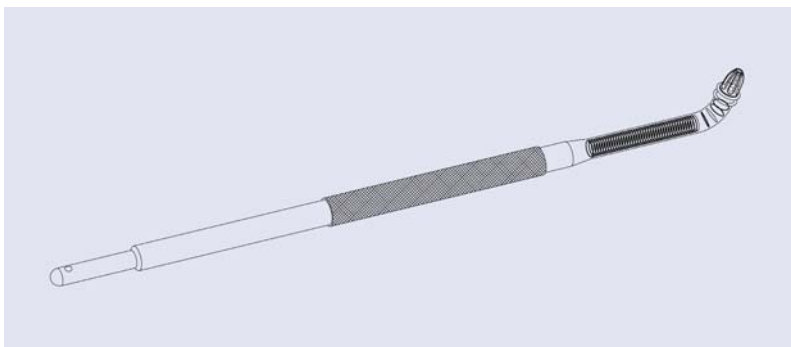
Article number	General configuration		Connection	Blood pump	PU
	Internal Ø [mm]	Internal Ø [Fr]			
ME656S0063	6,0	18,0	1/4"	9/10ml	1
ME656S0083	8,0	24,0	1/4"	9/10ml	1
ME656S0084	8,0	24,0	3/8"	22,5/25ml	1
ME656S0104	10,0	30,0	3/8"	22,5/25ml	1
ME656S0105	10,0	30,0	1/2"	54/60ml/72/80ml	1
ME656S0125	12,0	36,0	1/2"	54/60ml/72/80ml	1
ME656S0145	14,0	42,0	1/2"	54/60ml/72/80ml	1

Delivery times by appointment

Heart assist cannulae

VAD cannulae

Venous VAD cannula, 135° bent tip, inclusive insertion aid and germ barrier



Rings for fixing

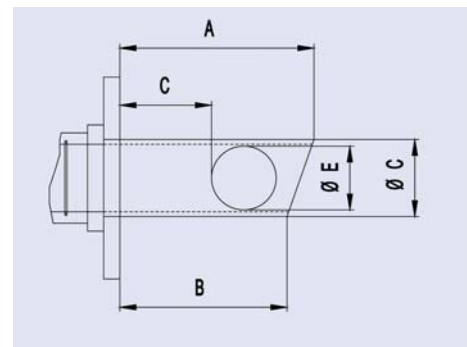
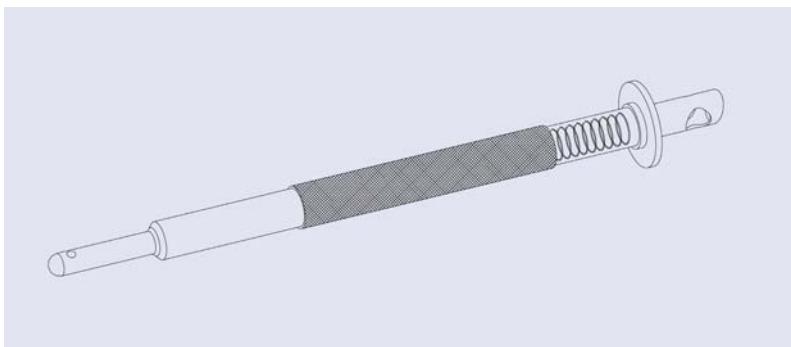
Article number	General configuration		Connection	Blood pump	PU
	External Ø [mm]	External Ø [Fr]			
ME657V0143	4,7	14,0	1/4"	9/10ml	1
ME657V0183	6,0	18,0	1/4"	9/10ml	1
ME657V0243	8,0	24,0	1/4"	9/10ml	1
ME657V0244	8,0	24,0	3/8"	22,5/25ml	1
ME657V0324	10,7	32,0	3/8"	22,5/25ml	1
ME657V0364	12,0	36,0	3/8"	22,5/25ml	1
ME657V0365	12,0	36,0	1/2"	54/60ml/72/80ml	1
ME657V0405	13,3	40,0	1/2"	54/60ml/72/80ml	1
ME657V0505	16,7	50,0	1/2"	54/60ml/72/80ml	1

Delivery times by appointment

Heart assist cannulae

VAD cannulae

Apex VAD cannula, inclusive insertion aid and germ barrier



Article number	General configuration		A [mm]	B [mm]	C [mm]	Ø E [mm]	Connection	Blood pump	PU
	Ø D [mm]	Ø D [Fr]							
ME658A0053	5,0	15,0	15,0	11,0	6,5	3,0	1/4"	9/10ml	1
ME658A0094	9,0	27,0	19,5	15,5	8,5	6,0	3/8"	22,5/25ml	1
ME658A0155	15,0	45,0	36,0	31,0	17,0	12,0	1/2"	54/60ml/72/80ml	1

Delivery times by appointment

Drainage catheters for surgical dressing

Drainage catheters

Table of contents

Thoracic drainage catheters with X-ray stripe

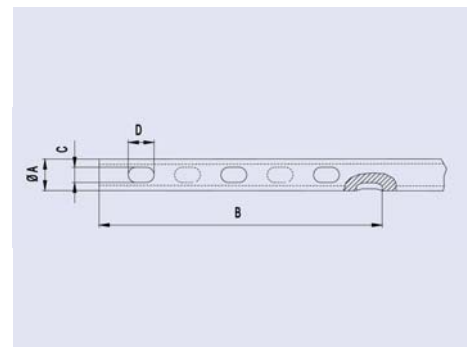
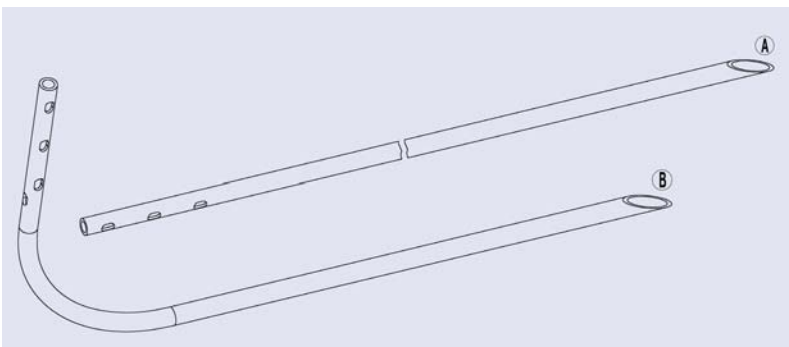
56



Drainage catheters for surgical dressing

Drainage catheters

Thoracic drainage catheters with X-ray stripe



Article number	General configuration			Typ	PU	Configuration cannula tip			
	Ø [mm]	Ø [Fr]	Length [mm]			Ø A [mm]	B [mm]	C [mm]	D [mm]
MED0024	8,0	24,0	520,0	Ⓐ	20	24,0	85,0	3,6	8,0
MED0026	8,7	26,0	520,0	Ⓐ	20	26,0	85,0	4,2	8,0
MED0028	9,3	28,0	520,0	Ⓐ	20	28,0	85,0	4,7	8,0
MED0032	10,7	32,0	520,0	Ⓐ	20	32,0	85,0	5,2	8,0
MED1024	8,0	24,0	520,0	Ⓑ	20	24,0	85,0	3,6	8,0
MED1026	8,7	26,0	520,0	Ⓑ	20	26,0	85,0	4,2	8,0
MED1028	9,3	28,0	520,0	Ⓑ	20	28,0	85,0	4,7	8,0
MED1032	10,7	32,0	520,0	Ⓑ	20	32,0	85,0	5,2	8,0

Delivery times by appointment

Stainless steel products

Stainless steel products

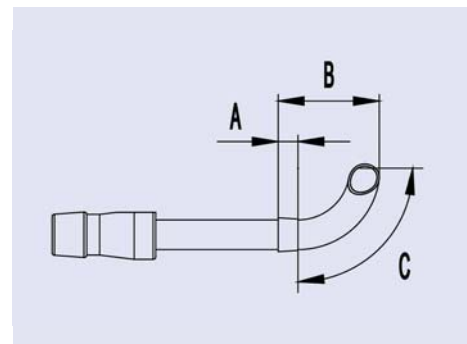
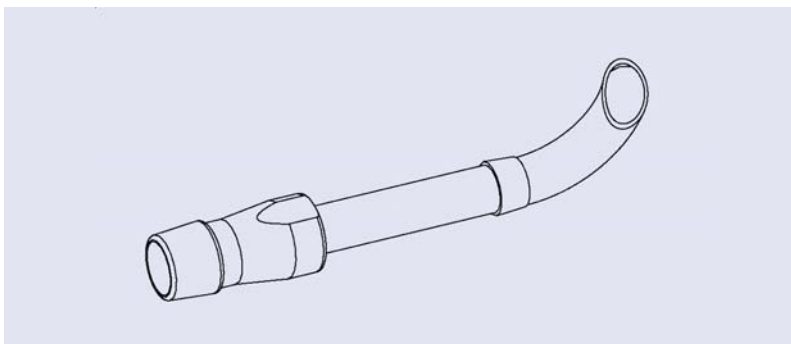
Table of contents

Aortic cannula, stainless steel	58
Femoral cannula, stainless steel	59
Cardioplegia cannula, sharp, with needle protector, stainless steel	60
Ostial coronary perfusion cannula left and right, stainless steel	61
Cannula for flow measuring, stainless steel	62
Venous head, stainless steel	63
Sucker, stainless steel	64

Stainless steel products

Stainless steel products

Aortic cannula, stainless steel



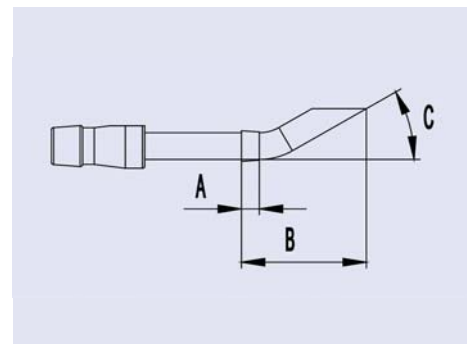
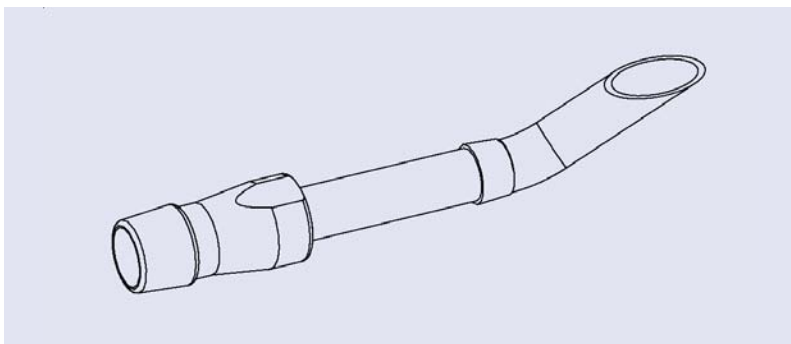
Article number	General configuration					Configuration cannula tip		
	Ø [mm]	Ø [Fr]	Length [mm]	Connection	PU	A [mm]	B [mm]	∠ C
MEMKA00001	7,0	21,0	75,0	1/4"	1	4,5	23,4	90°
MEMKA00028	7,0	21,0	75,0	5/16"-3/8"	1	4,5	23,4	90°

Delivery times by appointment

Stainless steel products

Stainless steel products

Femoral cannula, stainless steel



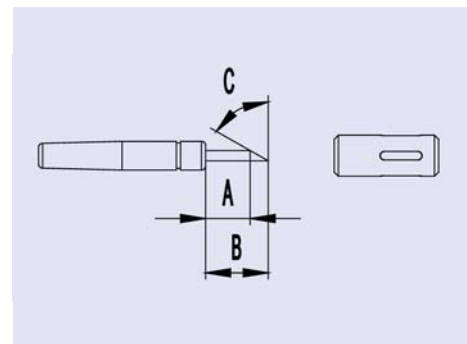
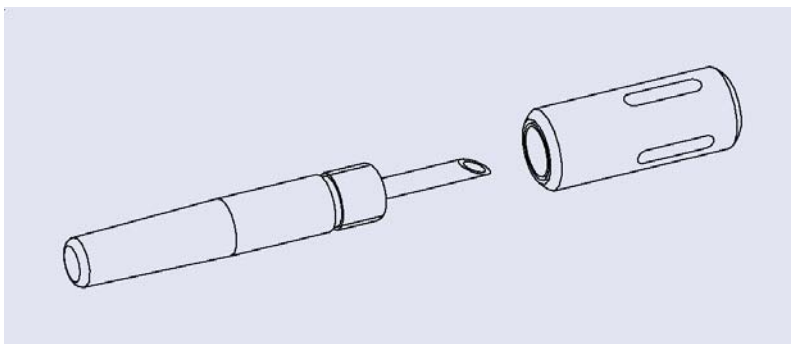
Article number	General configuration					Configuration cannula tip		
	Ø [mm]	Ø [Fr]	Length [mm]	Connection	PU	A [mm]	Ø B [mm]	∠ C
MEMKF00024	5,0	15,0	73,0	1/4"	1	4,5	29,4	30°
MEMKF00022	6,0	18,0	73,0	1/4"	1	4,5	29,9	30°
MEMKF00020	7,0	21,0	82,0	5/16"-3/8"	1	4,5	32,2	30°
MEMKF00025	8,0	24,0	82,0	5/16"-3/8"	1	4,5	32,7	30°

Delivery times by appointment

Stainless steel products

Stainless steel products

Cardioplegia cannula, sharp, with needle protector, stainless steel



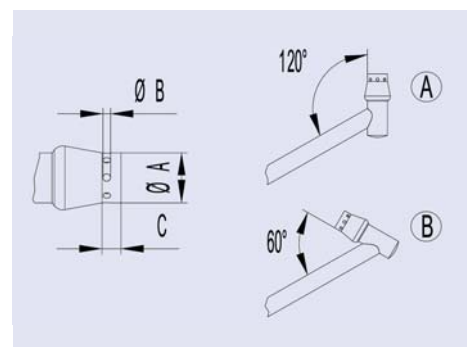
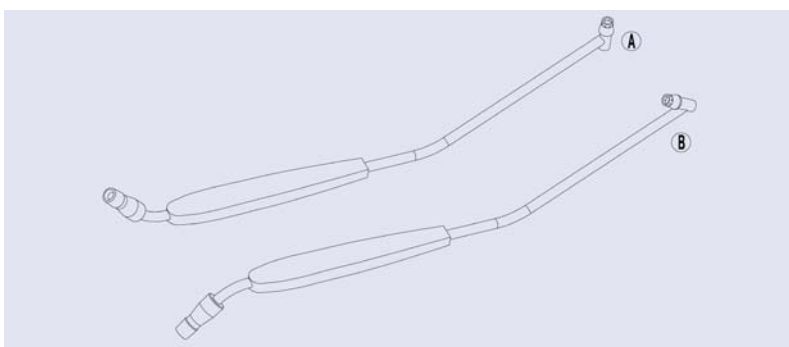
Article number	General configuration		Length [mm]	Connection	PU	Configuration cannula tip		
	Ø [mm]	Ø [Fr]				A [mm]	B [mm]	∠ C
MEMKK00025	2,5	7,5	55,0	1/4"	1	10,3	15,0	60°

Delivery times by appointment

Stainless steel products

Stainless steel products

Ostial coronary perfusion cannula left and right, stainless steel



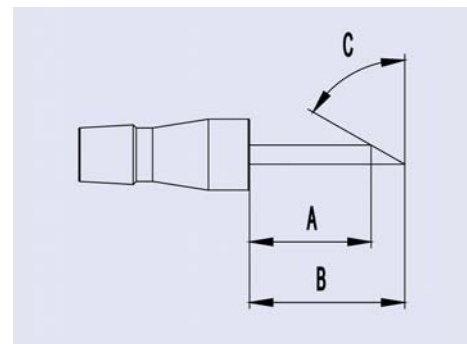
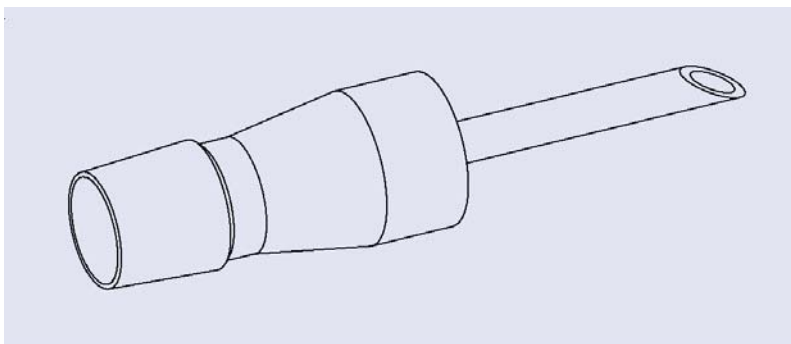
Article number	General configuration			Connection	PU	Configuration cannula tip		
	Ø [mm]	Ø [Fr]	Length [mm]			Ø A [mm]	Ø B [mm]	C [mm]
MEMKKH0020	1,7	5,1	255,0	1/4"	1	1,7	0,5	1,3
MEMKKH0035	2,9	6,7	255,0	3/16"	1	2,9	0,5	1,0
MEMKKH0016	2,9	6,7	255,0	1/4"	1	2,9	0,5	1,0
MEMKKH0018	4,0	12,0	255,0	1/4"	1	4,0	0,6	1,2
MEMKKH0017	4,6	13,8	255,0	1/4"	1	4,6	0,9	1,7
MEMKKH0019	5,3	15,9	255,0	1/4"	1	5,3	0,9	2,0

Delivery times by appointment

Stainless steel products

Stainless steel products

Cannula for flow measuring, stainless steel



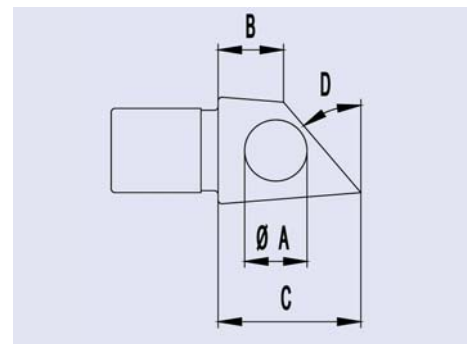
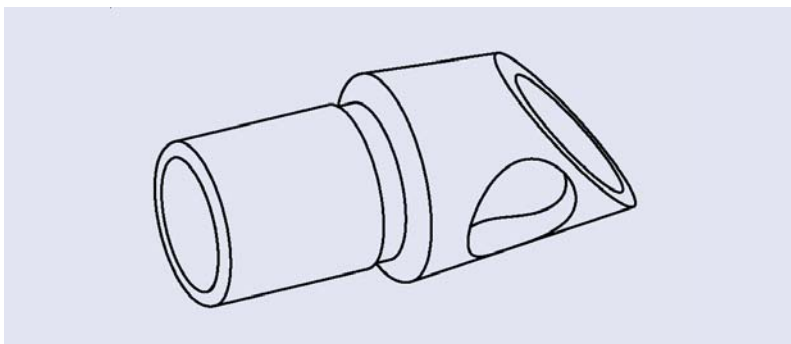
Article number	General configuration		Length [mm]	Connection	PU	Configuration cannula tip		
	Ø [mm]	Ø [Fr]				A [mm]	B [mm]	∠ C
MEMKFK0001	2,5	7,5	42,0	1/4"	1	15,7	20,0	60°

Delivery times by appointment

Stainless steel products

Stainless steel products

Venous head, stainless steel



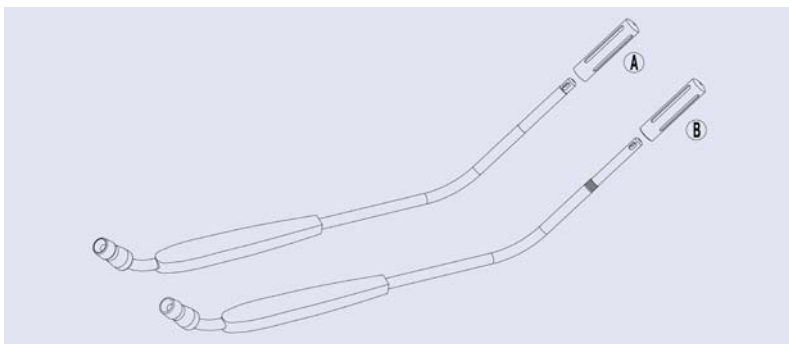
Article number	General configuration					Configuration cannula tip			
	Ø [mm]	Ø [Fr]	Length [mm]	Connection	PU	Ø A [mm]	B [mm]	C [mm]	∠ D
MEMKV0009	7,5	22,5	15,5	1/8"	1	3,0	3,0	7,5	40°
MEMKV0011	9,5	28,5	24,0	3/16"	1	5,0	8,0	14,0	40°
MEMKV0006	10,5	31,5	26,0	1/4"	1	6,0	7,4	14,5	40°
MEMKV0012	12,8	38,4	29,5	5/16"	1	7,0	7,5	16,5	40°
MEMKV0013	14,0	42,0	32,0	3/8"	1	8,0	8,4	18,3	40°

Delivery times by appointment

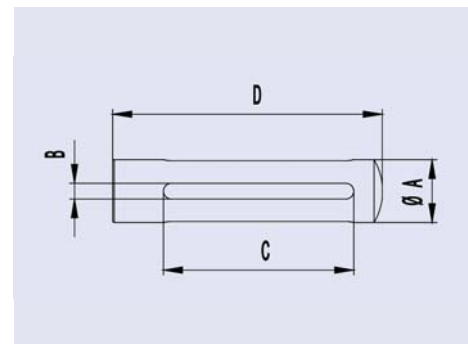
Stainless steel products

Stainless steel products

Sucker, stainless steel



- Ⓐ Moveable head
- Ⓑ Screwable head



Article number	General configuration			Connection	PU	Configuration cannula tip				
	Ø [mm]	Ø [Fr]	Length [mm]			Typ	Ø A [mm]	B [mm]	C [mm]	D [mm]
MEMKS00027	5,5	16,5	292,0	3/16"	1	Ⓐ	10,0	2,5	30,0	42,5
MEMKS00001	5,5	16,5	292,0	1/4"	1	Ⓐ	10,0	2,5	30,0	42,5
MEMKS00003	5,5	16,5	292,0	3/8"	1	Ⓑ	10,0	2,5	30,0	42,5
MEMKS00005	5,3	15,9	292,0	3/16"	1	Ⓑ	10,0	2,5	30,0	42,5
MEMKS00004	5,3	15,9	292,0	1/4"	1	Ⓑ	10,0	2,5	30,0	42,5
MEMKS00010	5,3	15,9	292,0	3/8"	1	Ⓑ	10,0	2,5	30,0	42,5
MEMKS00031	3,0	9,0	292,0	3/16"	1	Ⓑ	5,0	1,5	25,0	50,0
MEMKS00032	3,0	9,0	292,0	1/4"	1	Ⓑ	5,0	1,5	25,0	50,0
MEMKS00033	3,0	9,0	272,0	1/4"	1	Ⓑ	5,0	1,5	25,0	50,0
MEMKS00034	3,0	9,0	272,0	3/16"	1	Ⓑ	5,0	1,5	25,0	50,0

Delivery times by appointment

Attachments 

Connectors 

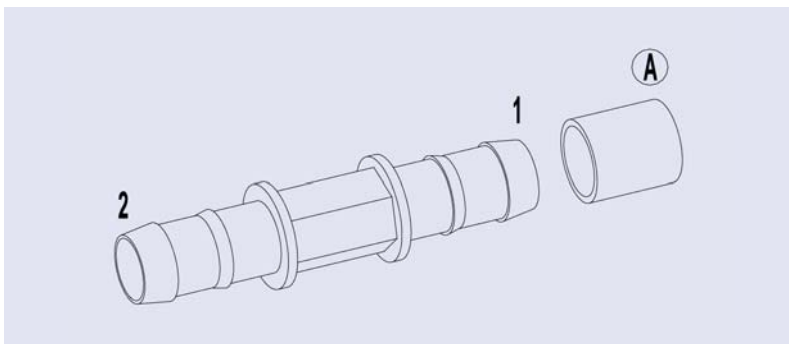
Table of contents 

Connector, straight	66
Connector, straight with LL	67
Y-Connector	68
Y-Connector, with LL	69

Attachments

Connectors

Connector, straight



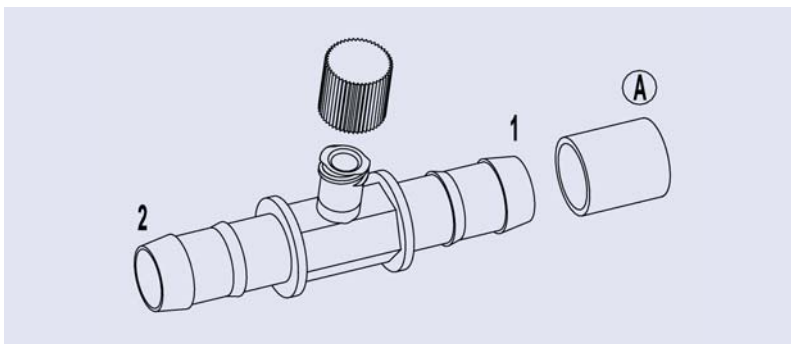
Article number		General configuration		
without cap	Ⓐ with cap	Size ①	Size ②	PU
MEGK0H2100	MEGK1H2100	3/16"	1/8"	50
MEGK0H2200	MEGK1H2200	3/16"	3/16"	50
MEGK0H3100	MEGK1H3100	1/4"	1/8"	50
MEGK0H3200	MEGK1H3200	1/4"	3/16"	50
MEGK0H3300	MEGK1H3300	1/4"	1/4"	50
MEGK0H4300	MEGK1H4300	3/8"	1/4"	25
MEGK0H4400	MEGK1H4400	3/8"	3/8"	25
MEGK0H5300	MEGK1H5300	1/2"	1/4"	25
MEGK0H5400	MEGK1H5400	1/2"	3/8"	25
MEGK0H5500	MEGK1H5500	1/2"	1/2"	25

Delivery times by appointment

Attachments

Connectors

Connector, straight with LL



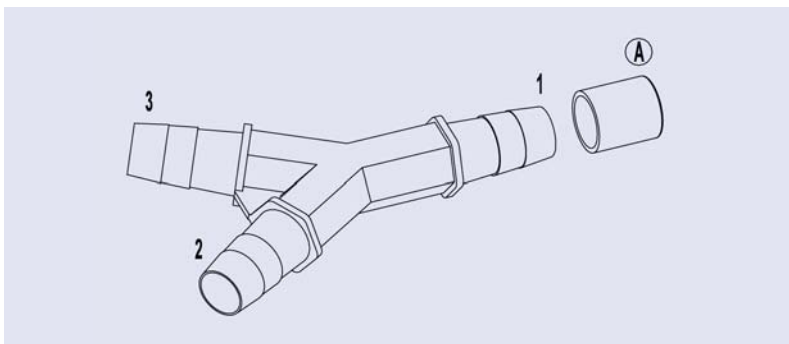
Article number		General configuration		
without cap	Ⓐ with cap	Size ①	Size ②	PU
MEGK2H2200	MEGK3H2200	3/16"	3/16"	50
MEGK2H3200	MEGK3H3200	1/4"	3/16"	50
MEGK2H3300	MEGK3H3300	1/4"	1/4"	50
MEGK2H4300	MEGK3H4300	3/8"	1/4"	25
MEGK2H4400	MEGK3H4400	3/8"	3/8"	25
MEGK2H5300	MEGK3H5300	1/2"	1/4"	25
MEGK2H5400	MEGK3H5400	1/2"	3/8"	25
MEGK2H5500	MEGK3H5500	1/2"	1/2"	25

Delivery times by appointment

Attachments

Connectors

Y-Connector



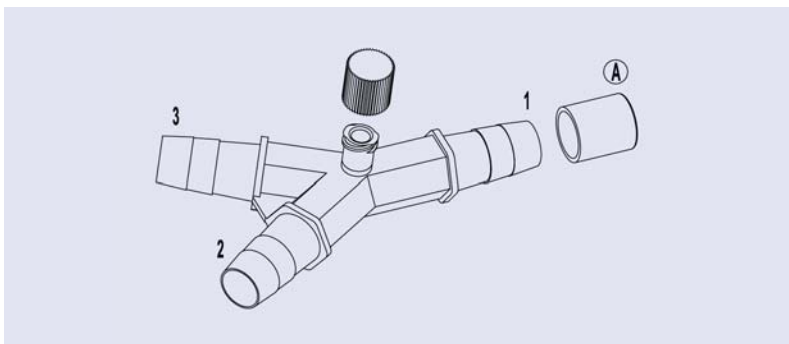
Article number		General configuration			PU
without cap	Ⓐ with cap	Size ①	Size ②	Size ③	
MEYK0H2220	MEYK1H2220	3/16"	3/16"	3/16"	25
MEYK0H3220	MEYK1H3220	1/4"	3/16"	3/16"	25
MEYK0H3330	MEYK1H3330	1/4"	1/4"	1/4"	25
MEYK0H3340	MEYK1H3340	1/4"	1/4"	3/8"	25
MEYK0H3440	MEYK1H3440	1/4"	3/8"	3/8"	25
MEYK0H4330	MEYK1H4330	3/8"	1/4"	1/4"	25
MEYK0H4430	MEYK1H4430	3/8"	3/8"	1/4"	25
MEYK0H4440	MEYK1H4440	3/8"	3/8"	3/8"	25
MEYK0H5330	MEYK1H5330	1/2"	1/4"	1/4"	25
MEYK0H5440	MEYK1H5440	1/2"	3/8"	3/8"	25
MEYK0H5530	MEYK1H5530	1/2"	1/2"	1/4"	25
MEYK0H5540	MEYK1H5540	1/2"	1/2"	3/8"	25
MEYK0H5550	MEYK1H5550	1/2"	1/2"	1/2"	25

Delivery times by appointment

Attachments

Connectors

Y-Connector, with LL



Article number		General configuration			PU
without cap	Ⓐ with cap	Size ①	Size ②	Size ③	
MEYK2H2220	MEYK3H2220	3/16"	3/16"	3/16"	25
MEYK2H3220	MEYK3H3220	1/4"	3/16"	3/16"	25
MEYK2H3330	MEYK3H3330	1/4"	1/4"	1/4"	25
MEYK2H4330	MEYK3H4330	3/8"	1/4"	1/4"	25
MEYK2H4430	MEYK3H4430	3/8"	3/8"	1/4"	25
MEYK2H4440	MEYK3H4440	3/8"	3/8"	3/8"	25
MEYK2H5330	MEYK3H5330	1/2"	1/4"	1/4"	25
MEYK2H5440	MEYK3H5440	1/2"	3/8"	3/8"	25
MEYK2H5450	MEYK3H5450	1/2"	3/8"	1/2"	25
MEYK2H5530	MEYK3H5530	1/2"	1/2"	1/4"	25
MEYK2H5550	MEYK3H5550	1/2"	1/2"	1/2"	25

Delivery times by appointment

